

INSTRUCTION MANUAL

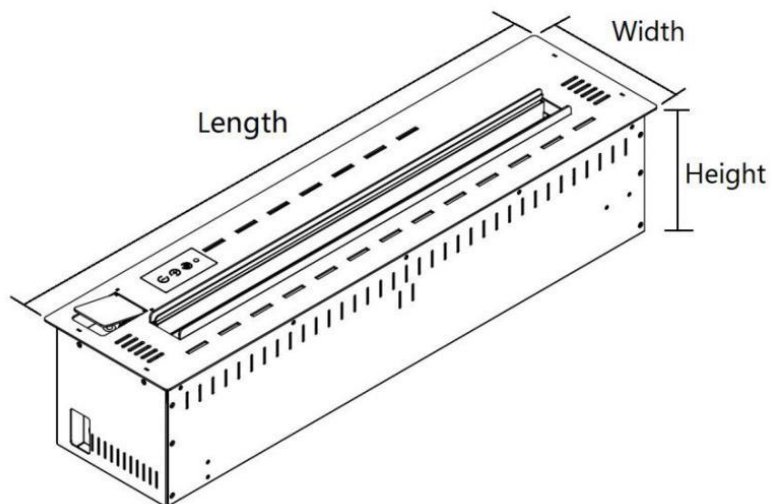
3D Water Fireplace



Device equipped volts:AC100-240v Current :1-6A Frequency: 50-60 Hz.

Device equipped with a remote control (Battery not included).

Device equipped with some spare parts.(Remote Controller, Filling Hose, Plug,etc...)



TECHNICAL DATA SHEET AND FEATURES

Model No	Dimension	Flame Length	Fuel Capacity	Minimum Fuel Level First Use	Burning Time
WT36	908mmL*193mmW*168mmH	745mm	4.49 L	4.49 L	51 Hours
WT48	1220mmL*193mmW*168mmH	1037mm	6.24 L	6.24 L	50 Hours
WT60	1524mmL*193mmW*168mmH	1337mm	7.94 L	7.94 L	50 Hours
WT72	1829mmL*193mmW*168mmH	1673mm	9.65 L	9.65 L	49 Hours
WT78	2000mmL*193mmW*168mmH	1844mm	10.6 L	10.6 L	49 Hours



Color Change



Remote Control



WiFi



Google/Alexa

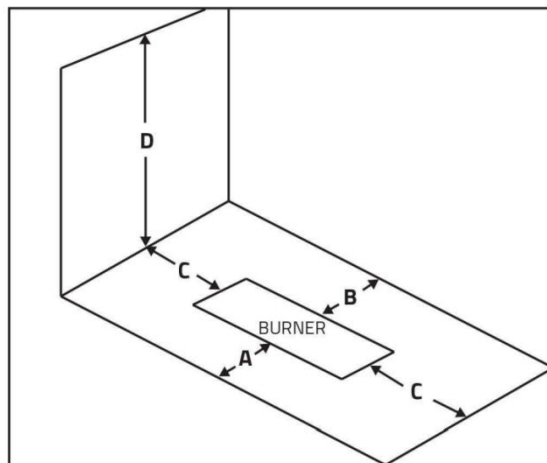


Smart Home

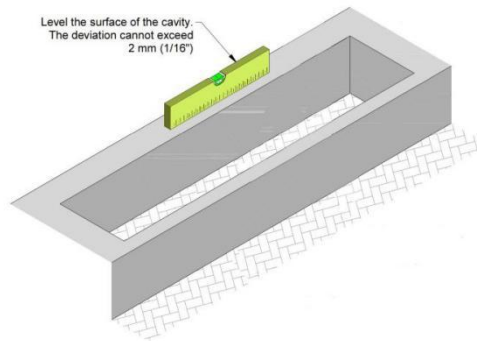
INSTALLATION

- Be sure to remove all packing materials, cardboard, foam before installing.
- This burner is designed for indoor use only, if you want to use it outdoor, please keep it away from humid(rain/water) environment or ask distributor for outdoor solution.
- Please leave an electricity power connection socket on the right side in the hole for burner fit in. And please have this socket electricity supply can control on/off from outside wall.

Front Clearance (A)	Rear Clearance (B)	Side Clearance (C)	Overhead Clearance (D)
4 inch 10cm	4 inch 10cm	4 inch 10cm	20 inch 50cm

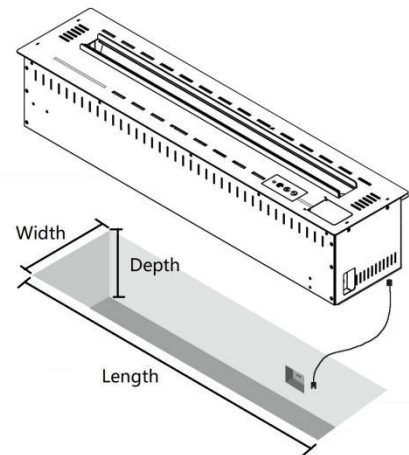


- The fireplace is intended to be placed on a floor or sturdy surface. Use a spirit level to ensure that the place is perfect leveled

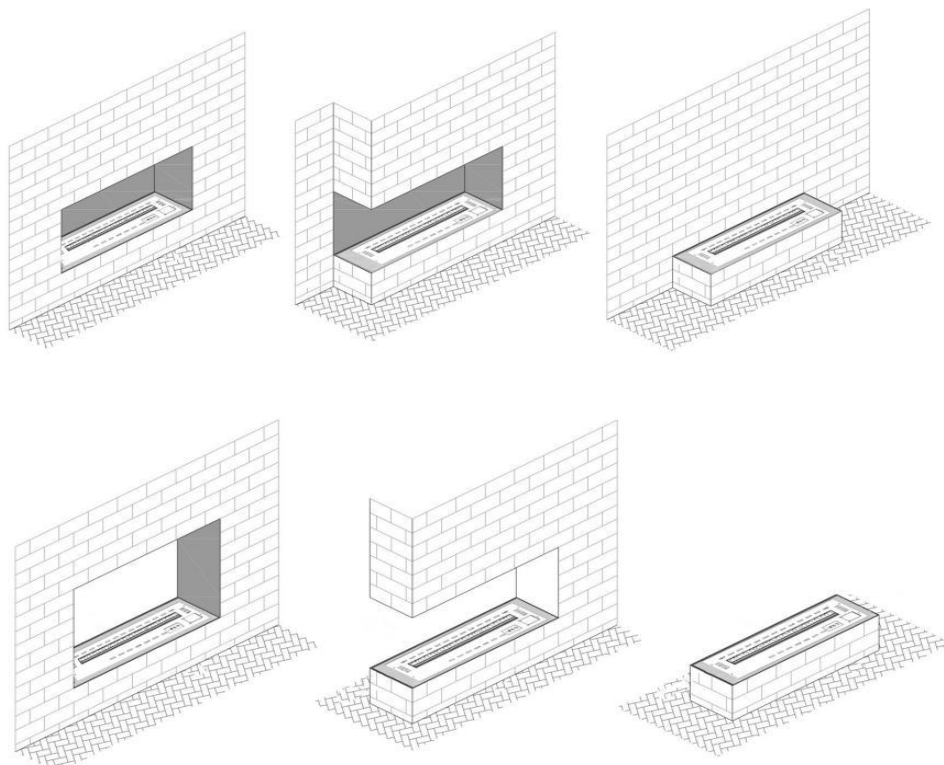


- Insert the fireplace' s electric plug into the electric socket. Previously connected burner should be placed in the cavity. Please refer to below wall cut out dimension for fitting the burner.

Model No	Length	Width	Depth
WT36	903mm	180mm	250mm
WT48	1215mm	180mm	250mm
WT60	1519mm	180mm	250mm
WT72	1824mm	180mm	250mm
WT78	1995mm	180mm	250mm
WT98	2395mm	180mm	250mm



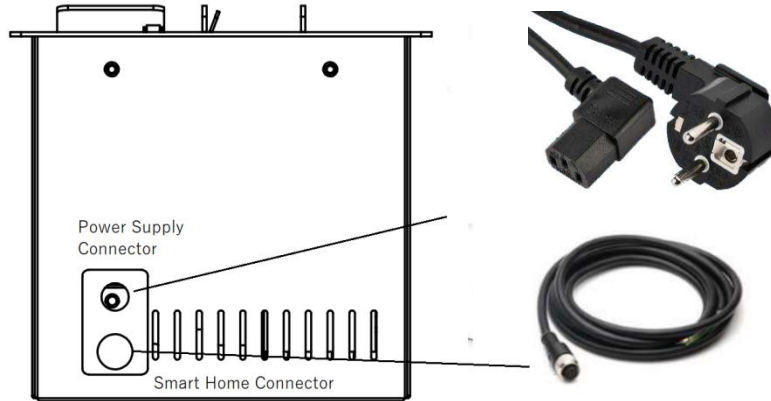
- Different installation styles for inserting the fireplace



OPERATION

•Connect with Power

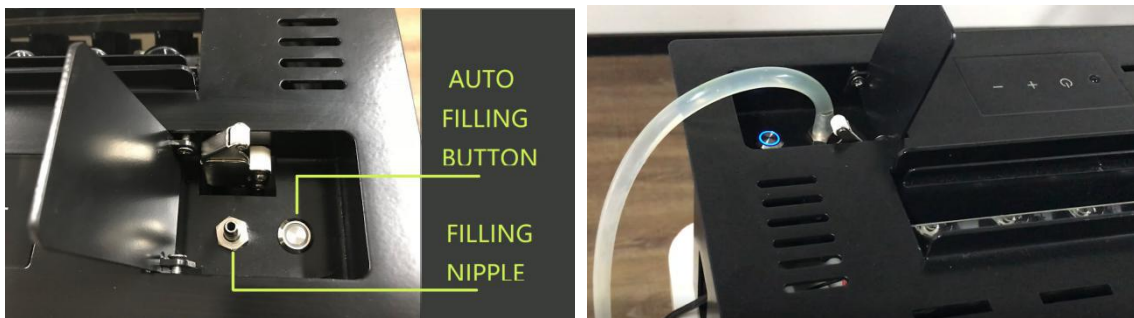
Connect the fireplace to electrical outlet with plug, please connect the smart home system connection as well if this function is available.



• Filling with pure water

Connect filling hose with water tank and filling IN nipple, Press auto filling button to fill.

Blue light starts to flash indicating filling. When it stops , the fuel tank is full.



•Empty water completely

- 1) Pull out the tube and remove white stopper to let the water flow out
- 2) When there is no water flowing out from tube , the tank is completely empty



•Remote Control Use


Note: Fireplace will be locked when no action on remote in 30s.
Touching any button once to unlock before operating.

- 1) Open the removable panel on the back of the remote control. Place AAA battery .





- 2) Power Button “—” for turning on fireplace
Press twice to turn on, Power Button “○” for shutting down fireplace
Press once to turn off .

- 3) Circle Button 7 colors changes in loop.

 mode. Non-polar adjusting of color manually

 mode. 7 color change adjusted manually

 mode. Non-polar adjusting of color automatically every 5 seconds

 mode. 7 color change automatically every 5 seconds

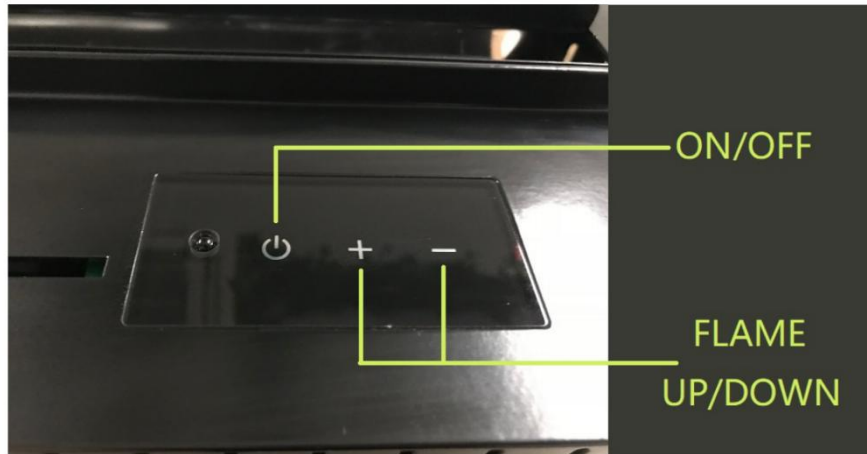
- 4) 4 levels Water Flame change : Up button for larger flame, Down button for smaller flame.



- **Buttons on Fireplace**

Press power button twice [on burner / remote control] to start the fireplace .

5-setting flame height regulated by pressing up /down Arrow button .



WIFI OPERATION



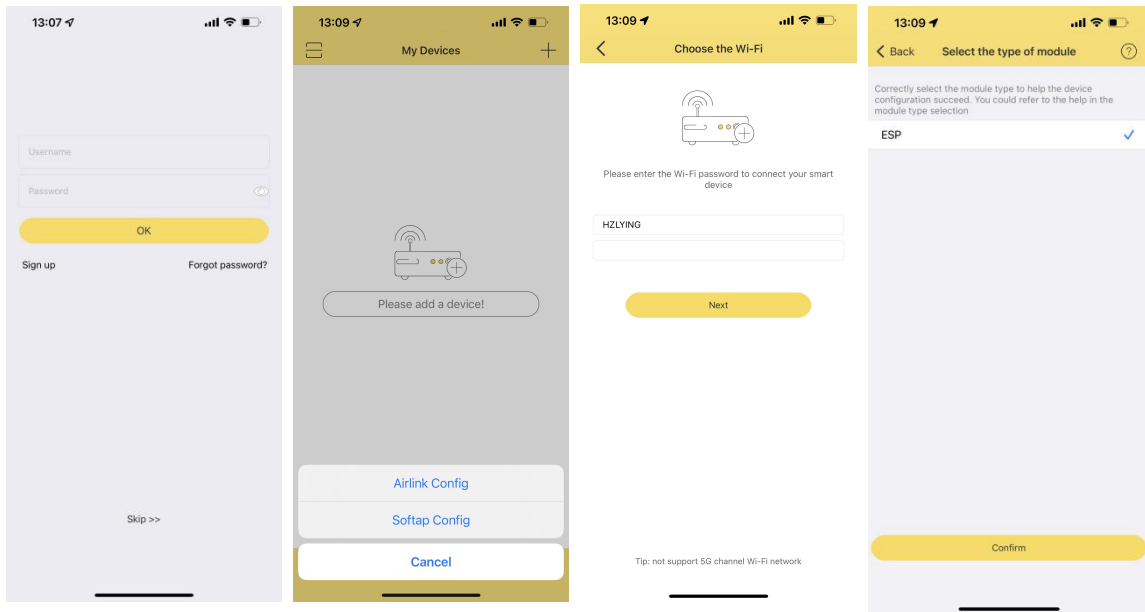
Download app [SmartEco-Flame_V2] from Google play or Apple store

Softap Configuration Compatible with both IOS

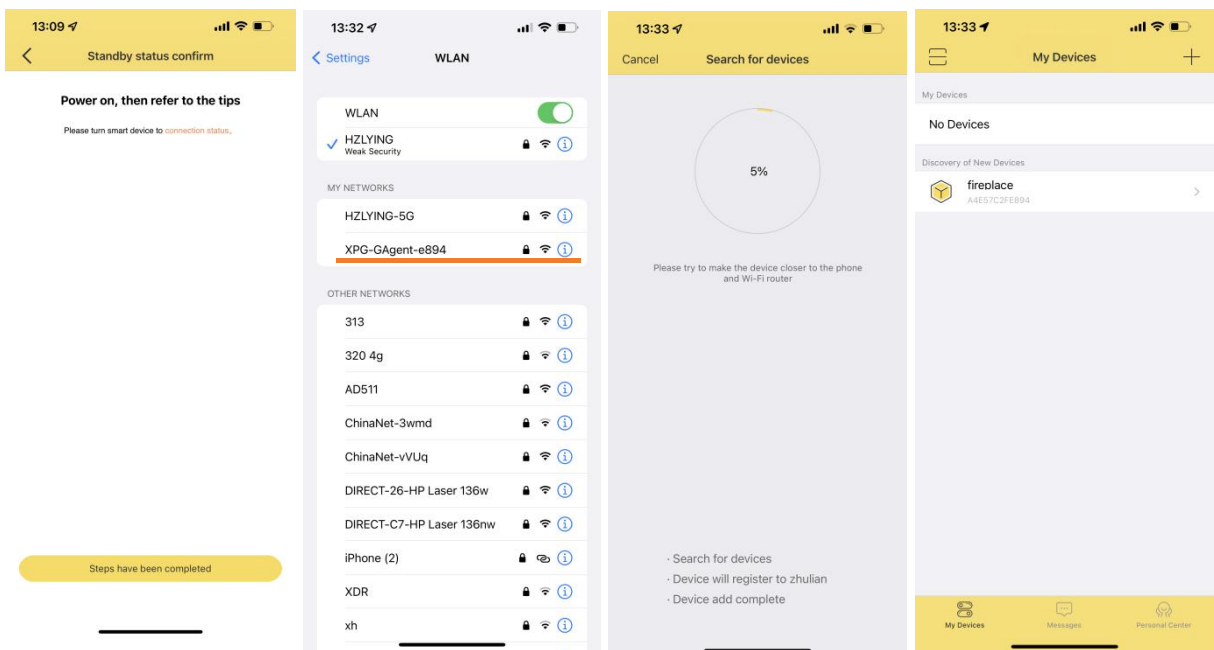
- 1) Turn on Fireplace
- 2) Pressing the “+” button on fireplace and “M+” on remote



- 3) Open App -> sign up or skip --> Click “add a device” -> choose “Softage Config”
- 4) --> Enter your home WiFi network and password , click next.
- 5) Check “ESP” and click “Confirm”



- 6) Click “Steps have been completed”
- 7) Go to setting on your smart phone, choose WIFI name starting with XPG***** from your wlan list , connect with password : 123456789
- 8) Choose the new device that is discovered and click it to control the fireplace.



FINE ADJUSTMENT ON VAPOR DENSITY

Vapor Density Increase & Decrease

1) Fireplace must be working

A : Press “+”on fireplace and “S+” on remote to increase vapor density.



B : Press “-”on fireplace and “S-” on remote to decrease vapor density.



BACK TO DEFAULT SETTING

Vapor Density default

Press “+”on fireplace and “B+” on remote once back to default



WIFI default

Press “+”on fireplace and “B-” on remote once back to default



Warranty

1. Our fireplaces are guaranteed 5 years, parts and labor. Warranty begins on the date of purchase.
2. Warranty will be applied on presentation of a dated cash receipt and is strictly limited to factory service repair of the piece or pieces that are found to be defective.
3. Installations costs will not be reimbursed in any case as damages for any reason whatsoever.
4. Manufacturer will not be held responsible for any incidental or consequential defects, on goods or individuals.
5. The warranty will not be applied if devices have been subjected to abnormal use or if used under other conditions of use than the ones they were intended for.
6. The warranty will not apply in case of deterioration or accident due to negligence, damages caused by failing to maintain and service the device or result-ing from an alteration of material.