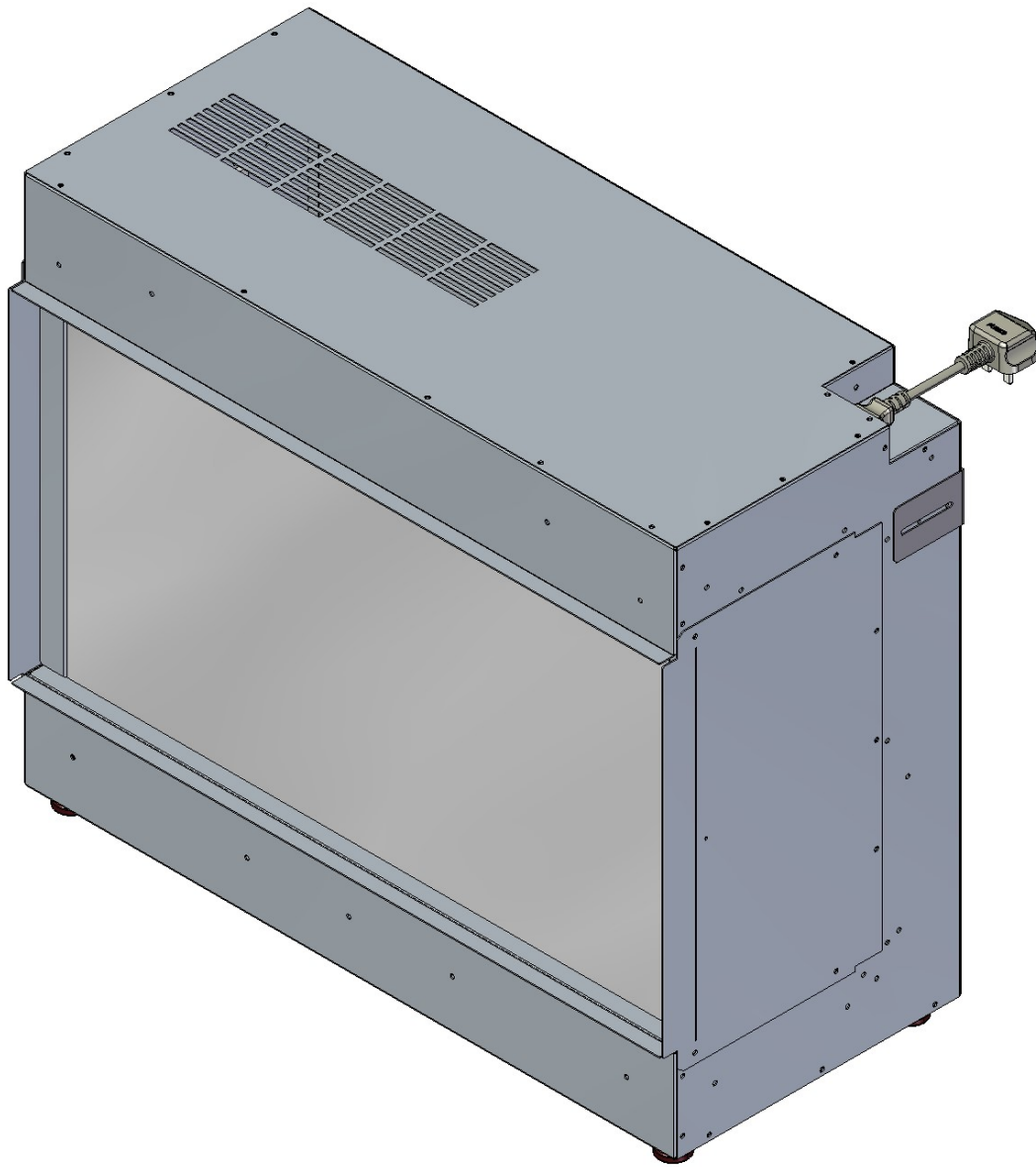


ilekτρο Range

950 LT

SPECIFICATION SHEET



Version 1 16/08/22

Contents of manual may be updated without notice.
For the latest version of this manual please refer to
our website: www.paulagnewdesigns.com.au

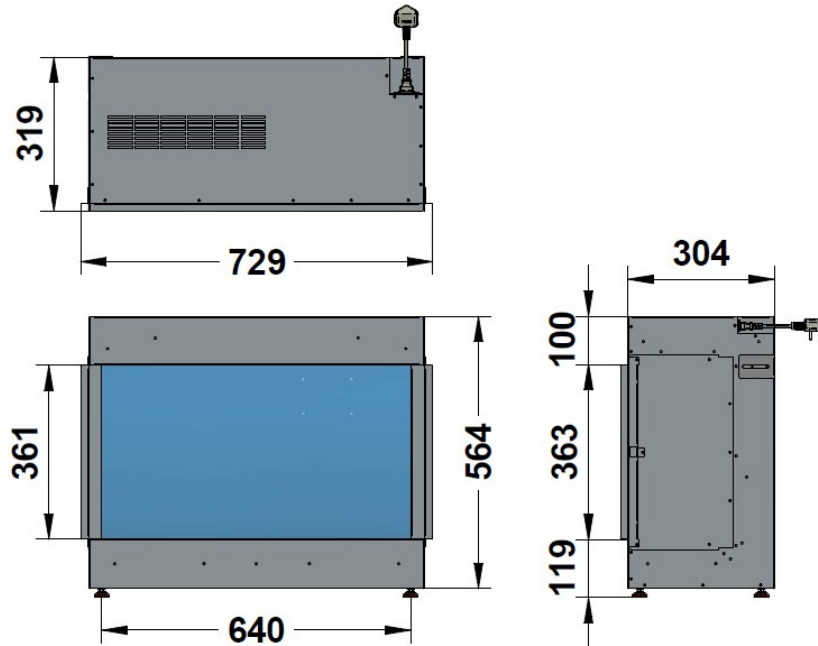
PAUL AGNEW

DESIGNS

ilektró 950 LT Glass Fronted

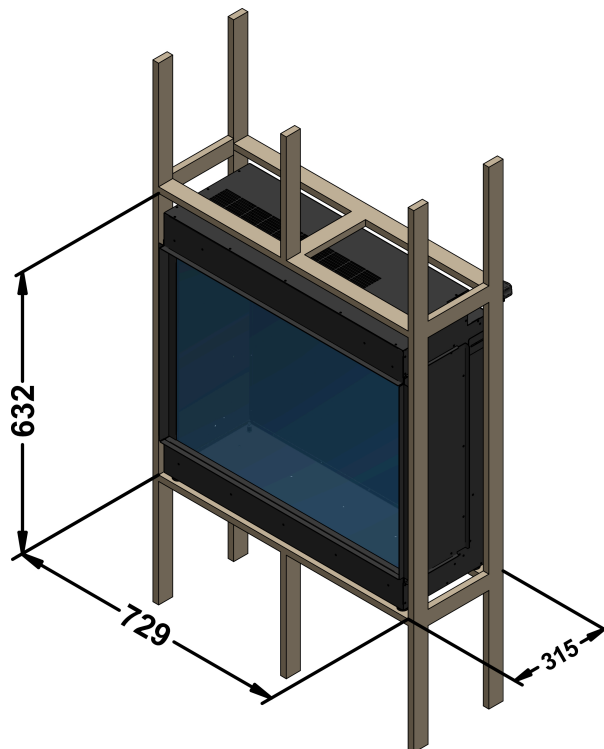
APPLIANCE DIMENSIONS

Product Code:



FRAME BUILD OUT DIMENSIONS (All dimensions are in millimetres)

| H - MIN | W - MIN | C - CAVITY DEPTH |
|---------|---------|------------------|
| 632 | 729 | 315 |



DIMENSION NOTES:

** C- CAVITY DEPTH INCLUDES 10MM BACK CLEARANCE.

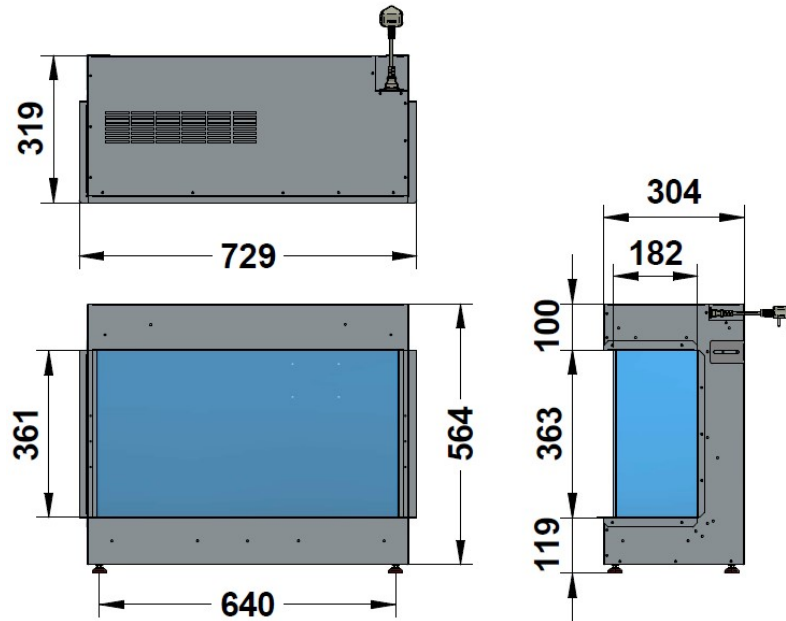
** H- HEIGHT INCLUDES 50MM TOP CLEARANCE.

PLEASE NOTE: DIMENSIONS ARE FOR REFERENCE ONLY - CONSULT YOUR INSTALLER AND RETAILER FOR GUIDANCE

ilektró 950 LT Bay

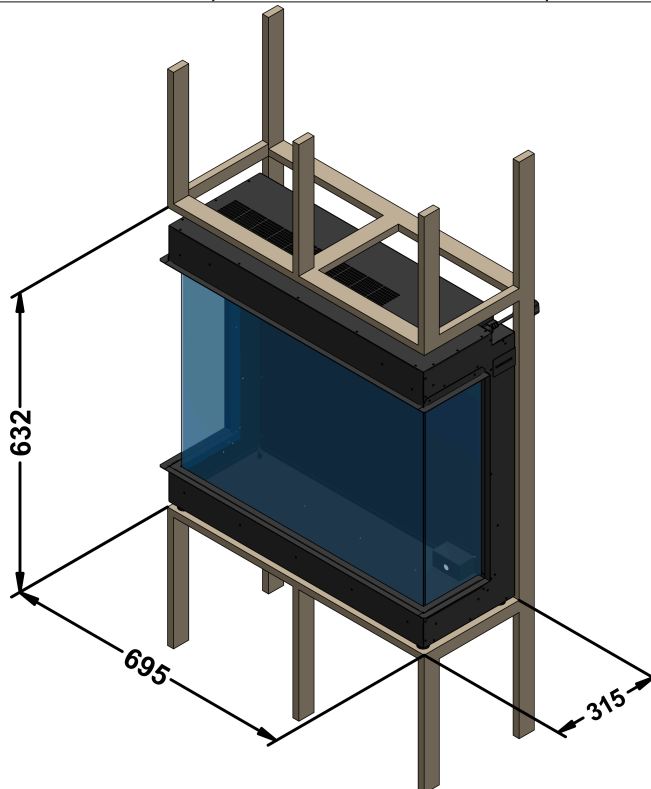
APPLIANCE DIMENSIONS

Product Code:



FRAME BUILD OUT DIMENSIONS (All dimensions are in millimetres)

| H - MIN | W - MAX | C - CAVITY DEPTH |
|---------|---------|------------------|
| 632 | 695 | 315 |



DIMENSION NOTES:

** C- CAVITY DEPTH INCLUDES 10MM BACK CLEARANCE.

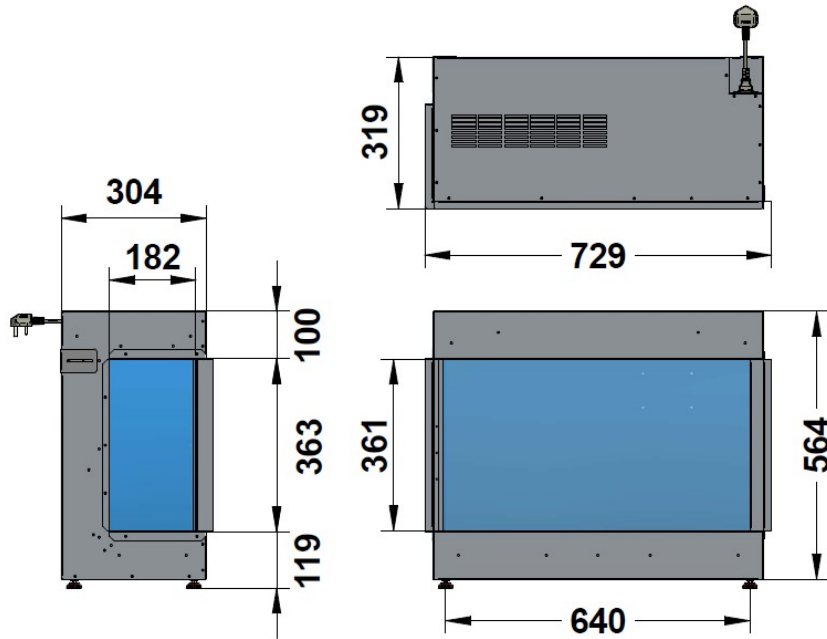
** H- HEIGHT INCLUDES 50MM TOP CLEARANCE.

PLEASE NOTE: DIMENSIONS ARE FOR REFERENCE ONLY - CONSULT YOUR INSTALLER AND RETAILER FOR GUIDANCE

ilektró 950 LT Left Corner Glass

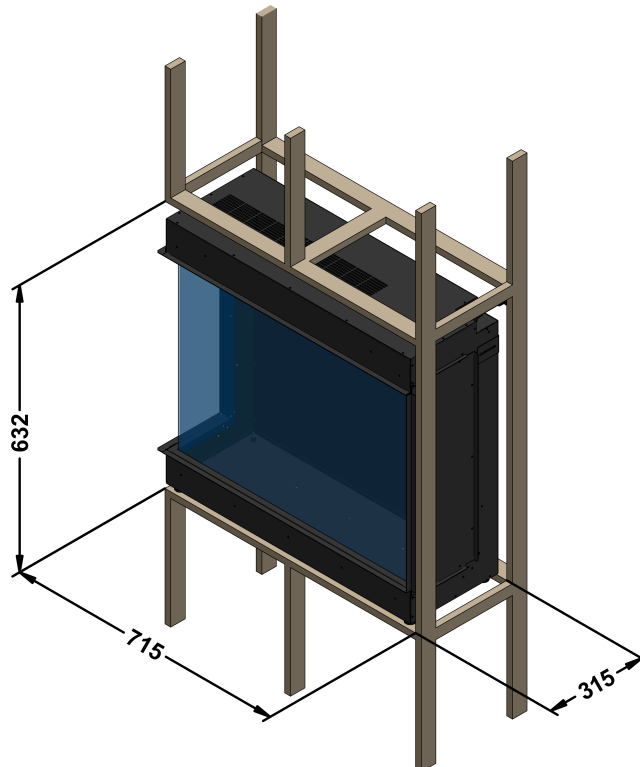
APPLIANCE DIMENSIONS

Product Code:



FRAME BUILD OUT DIMENSIONS (All dimensions are in millimetres)

| H - MIN | W - MAX | C - CAVITY DEPTH |
|---------|---------|------------------|
| 632 | 715 | 315 |



DIMENSION NOTES:

** C- CAVITY DEPTH INCLUDES 10MM BACK CLEARANCE.

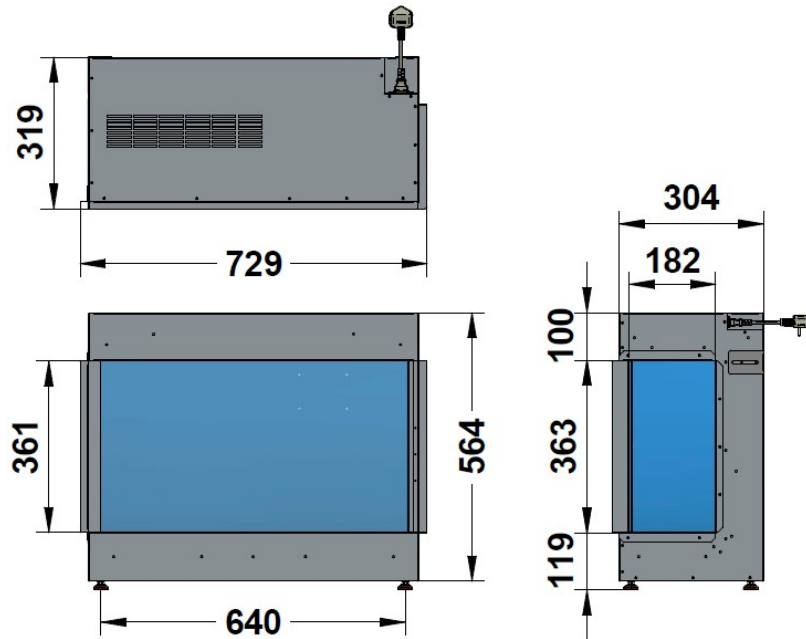
** H- HEIGHT INCLUDES 50MM TOP CLEARANCE.

PLEASE NOTE: DIMENSIONS ARE FOR REFERENCE ONLY - CONSULT YOUR INSTALLER AND RETAILER FOR GUIDANCE

ilekτρο 950 LT Right Corner Glass

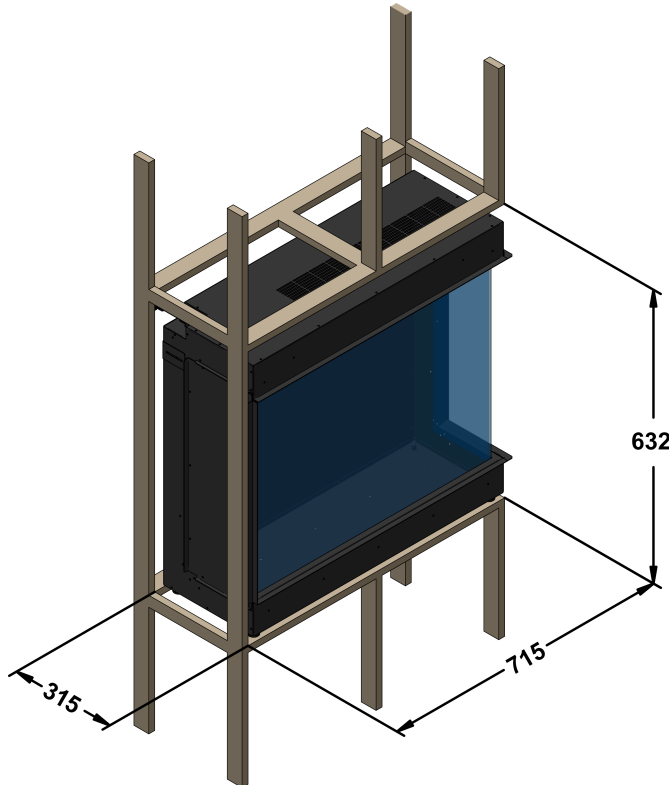
APPLIANCE DIMENSIONS

Product Code:



FRAME BUILD OUT DIMENSIONS (All dimensions are in millimetres)

| H - MIN | W - MAX | C - CAVITY DEPTH |
|---------|---------|------------------|
| 632 | 715 | 315 |



DIMENSION NOTES:

** C- CAVITY DEPTH INCLUDES 10MM BACK CLEARANCE.

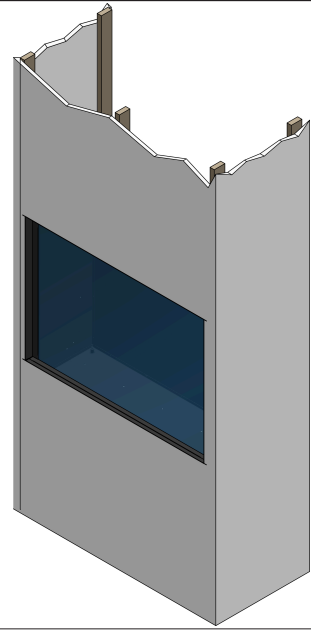
** H- HEIGHT INCLUDES 50MM TOP CLEARANCE.

PLEASE NOTE: DIMENSIONS ARE FOR REFERENCE ONLY - CONSULT YOUR INSTALLER AND RETAILER FOR GUIDANCE

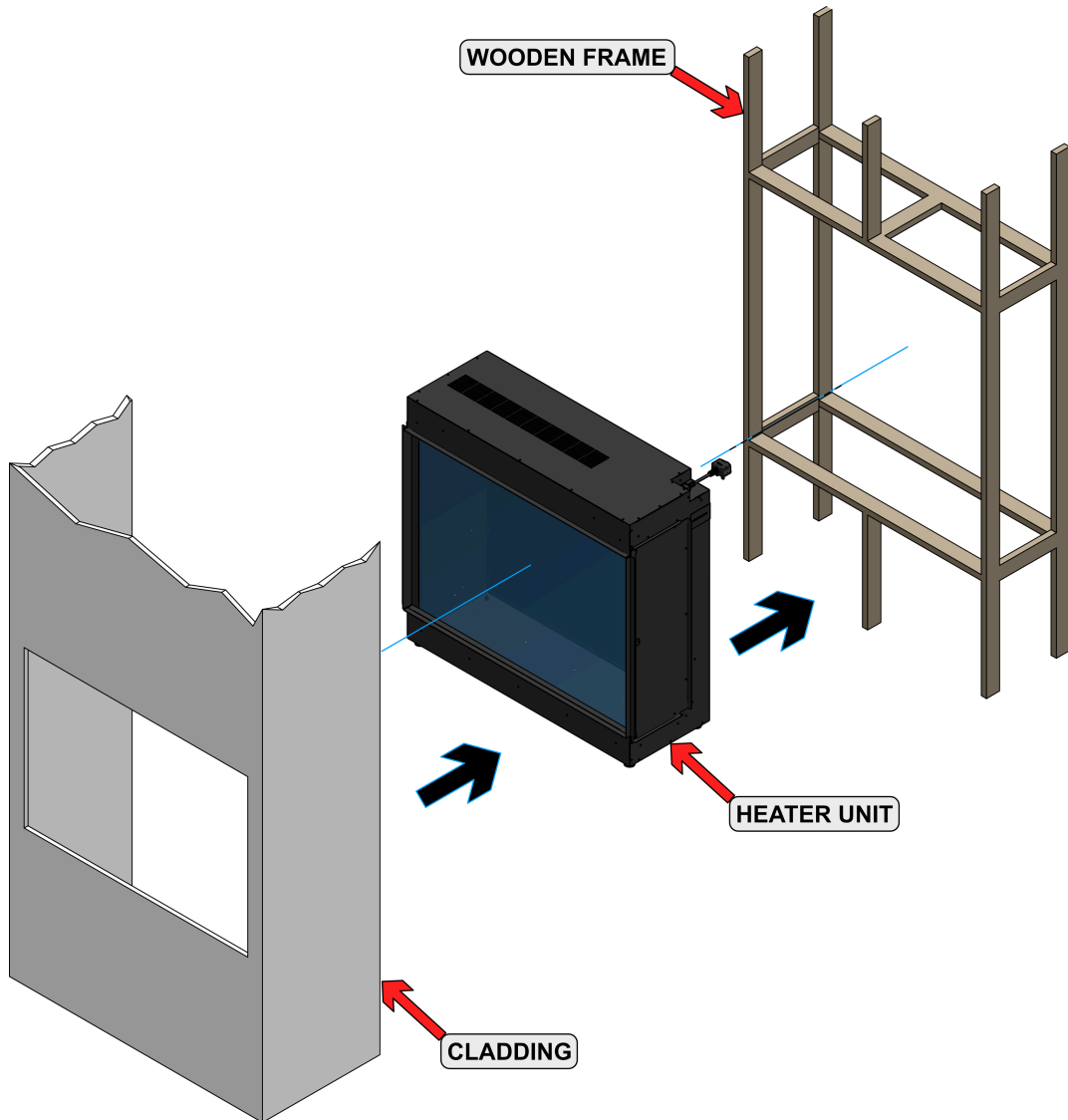
ilektro 950 LT

Note:

Above given dimensions are for frame structure only.

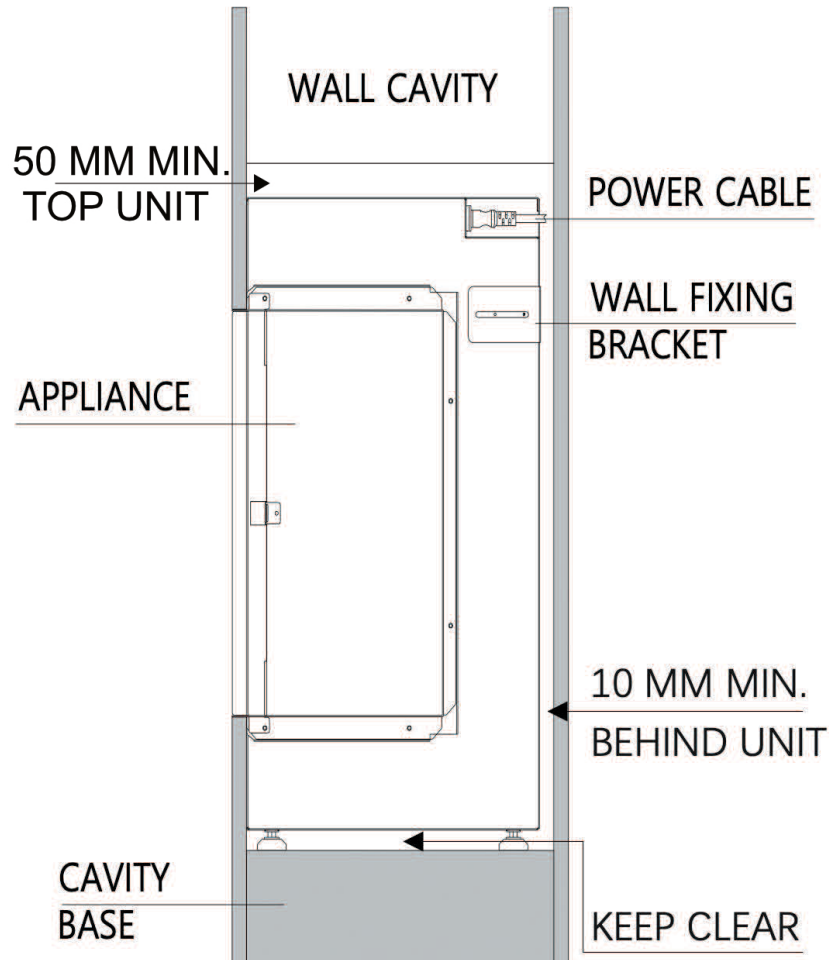


EXPLODED VIEW



ilektró 950 LT

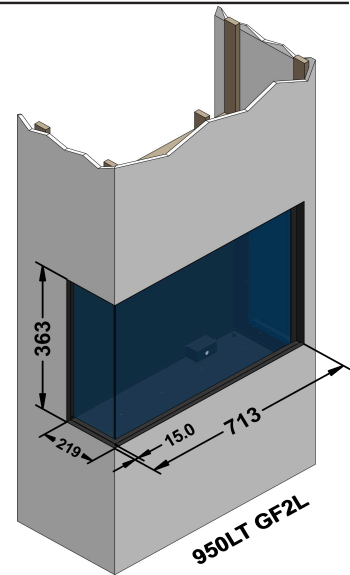
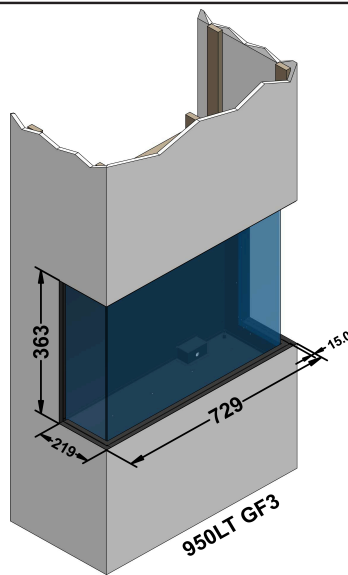
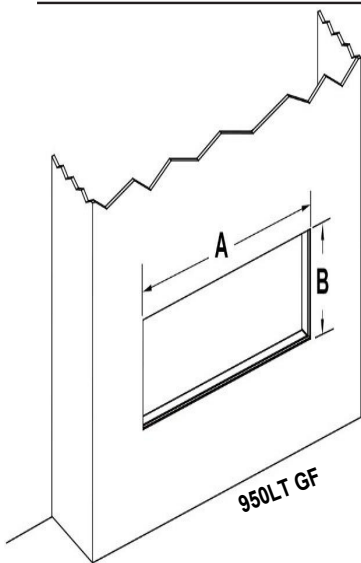
POSITIONING YOUR APPLIANCE

**NOTE:**

No fixtures are supplied to secure the appliance to the chosen wall. Ensure an appropriate fixing method is used depending on the construction material of the wall.

- When installing into a wall cavity space, a stud work enclosure should be built to house the appliance. Refer to frame out build sheet.
- Finish the enclosure in the chosen material ensuring cladding are pushed up to the edge frame around the glass of the unit.
- If your appliance is not level when installed the glass corner fit will be misaligned.

ilektró 950 LT



| Model | A | B | C | D | E | F | G |
|------------|-------|-------|-------|-------|-------|-------|-------|
| 950LT GF | 695mm | 593mm | 363mm | 219mm | 315mm | 100mm | 119mm |
| 950LT GF3 | 729mm | 593mm | 363mm | 219mm | 315mm | 100mm | 119mm |
| 950LT GF2L | 713mm | 593mm | 363mm | 219mm | 315mm | 100mm | 119mm |
| 950LT GF2R | 713mm | 593mm | 363mm | 219mm | 315mm | 100mm | 119mm |

The above table contains the **minimum** opening

A = Width to outside of plaster flanges

B = Height to outside of plaster flanges

C = Height of fire (min)

D = Depth from front of fire body to rear of side plaster flange

E = Depth of fire (+1MM TOL)

F = Height of fire above top plaster bead

G = Min height from underside of adjustable foot to underside of lower plaster flange

