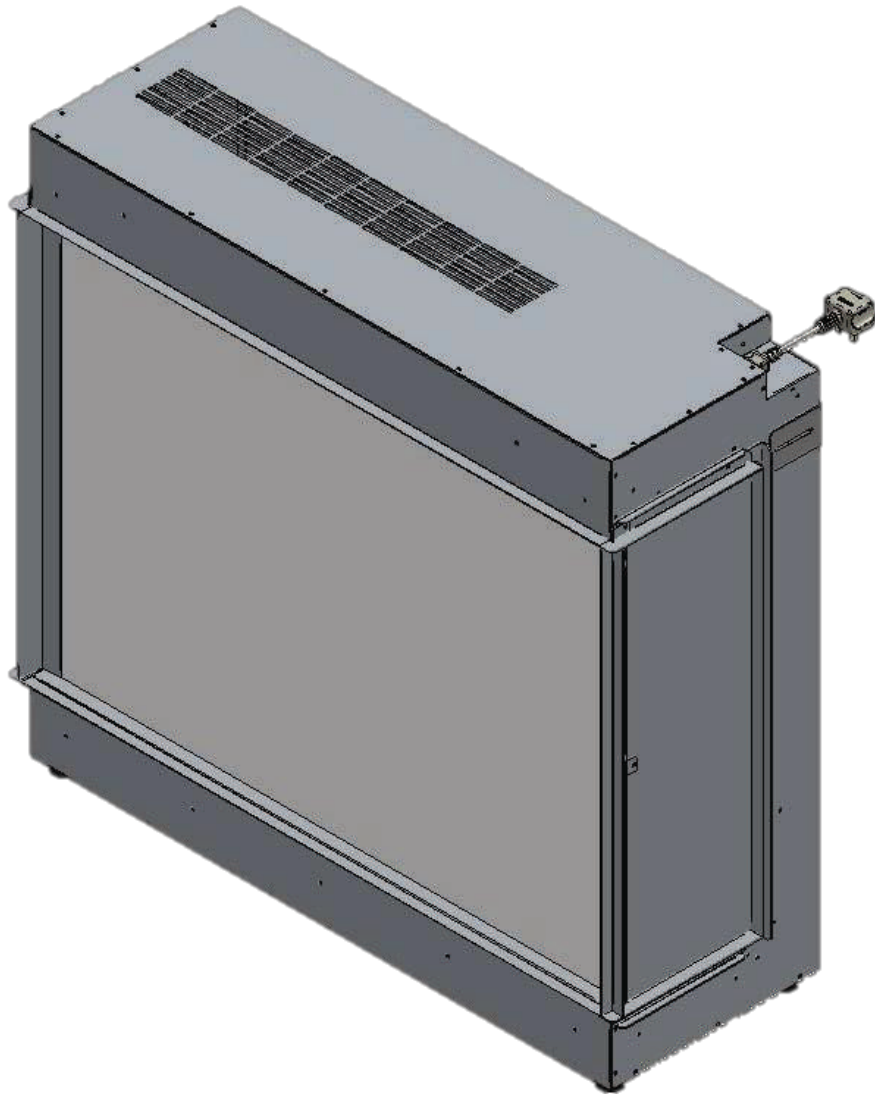


ilekτρο Range

950 Aspect

SPECIFICATION SHEET



Version 2 21/01/22

Contents of manual may be updated without notice.
For the latest version of this manual please refer to
our website: www.paulagnewdesigns.com.au

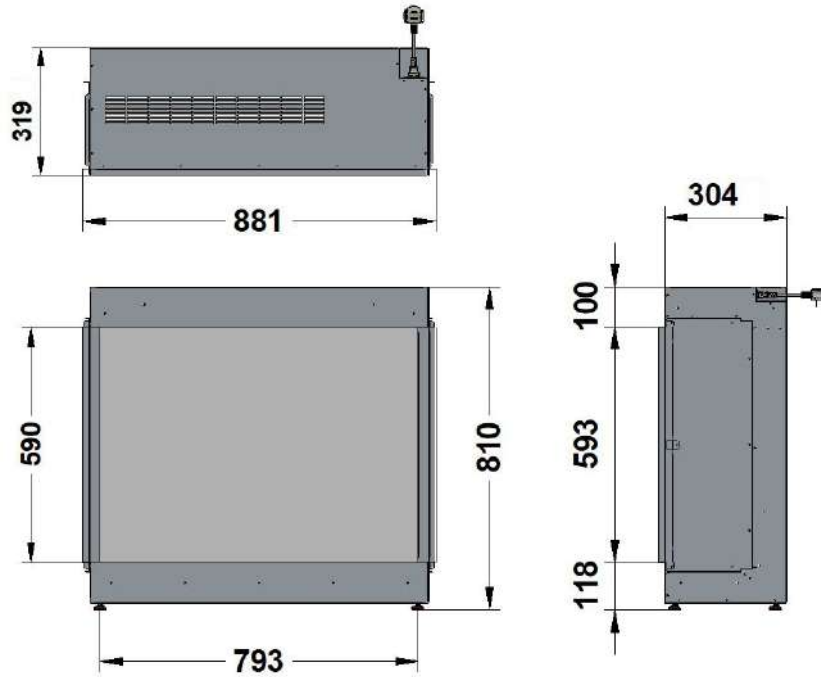
PAUL AGNEW

DESIGNS

ilektró 950 Aspect Glass Fronted

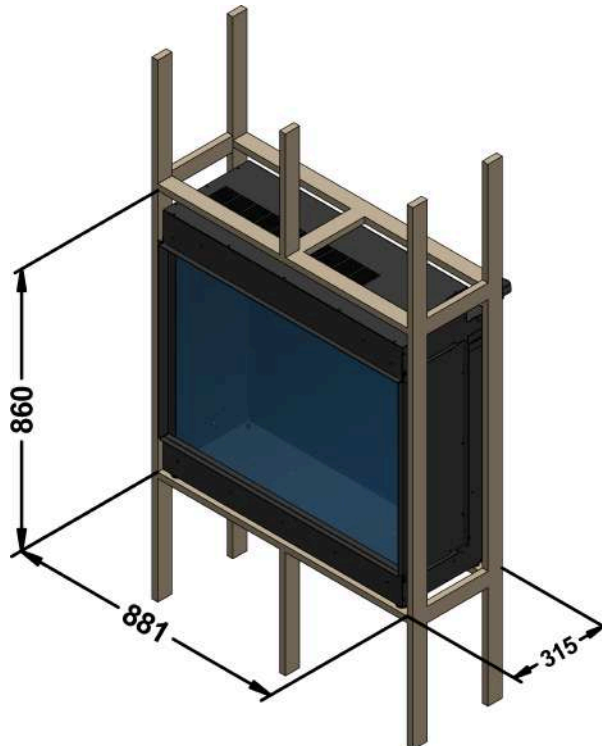
APPLIANCE DIMENSIONS

Product Code:



FRAME BUILD OUT DIMENSIONS (All dimensions are in millimetres)

H - MIN	W - MIN	C - CAVITY DEPTH
860	881	315



DIMENSION NOTES:

** C- CAVITY DEPTH INCLUDES 10MM BACK CLEARANCE.

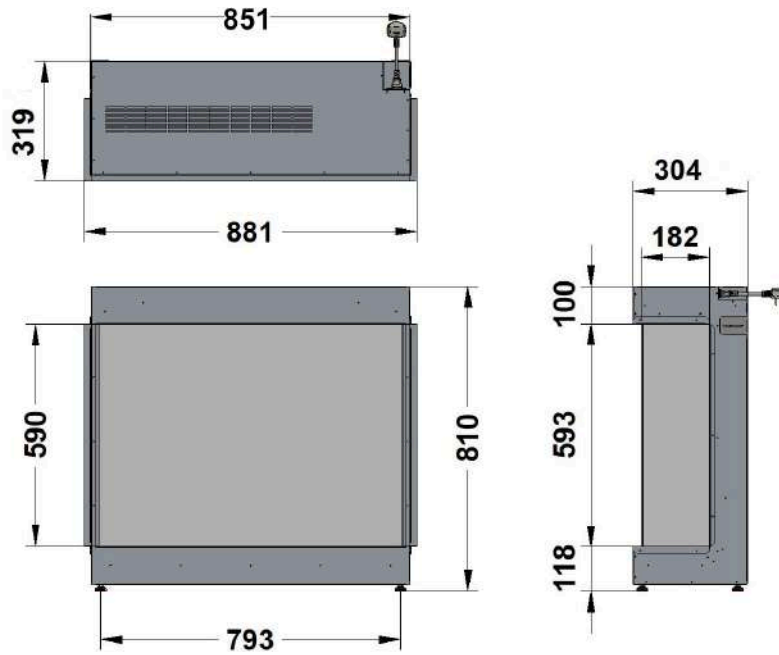
** H- HEIGHT INCLUDES 50MM TOP CLEARANCE.

PLEASE NOTE: DIMENSIONS ARE FOR REFERENCE ONLY - CONSULT YOUR INSTALLER AND RETAILER FOR GUIDANCE

ilektró 950 Aspect Bay

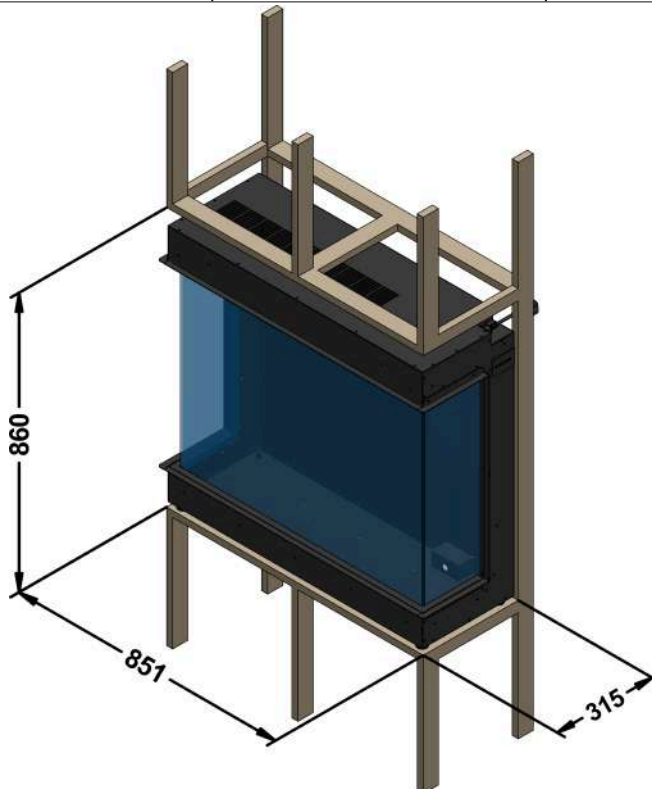
APPLIANCE DIMENSIONS

Product Code:



FRAME BUILD OUT DIMENSIONS (All dimensions are in millimetres)

H - MIN	W - MAX	C - CAVITY DEPTH
860	851	315



DIMENSION NOTES:

** C- CAVITY DEPTH INCLUDES 10MM BACK CLEARANCE.

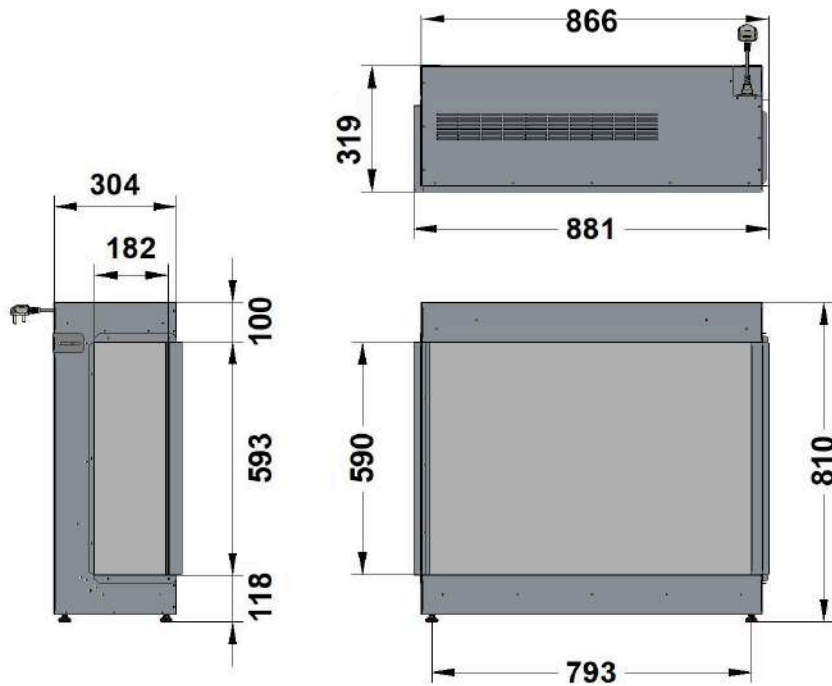
** H- HEIGHT INCLUDES 50MM TOP CLEARANCE.

PLEASE NOTE: DIMENSIONS ARE FOR REFERENCE ONLY - CONSULT YOUR INSTALLER AND RETAILER FOR GUIDANCE

ilektró 950 Aspect Left Corner Glass

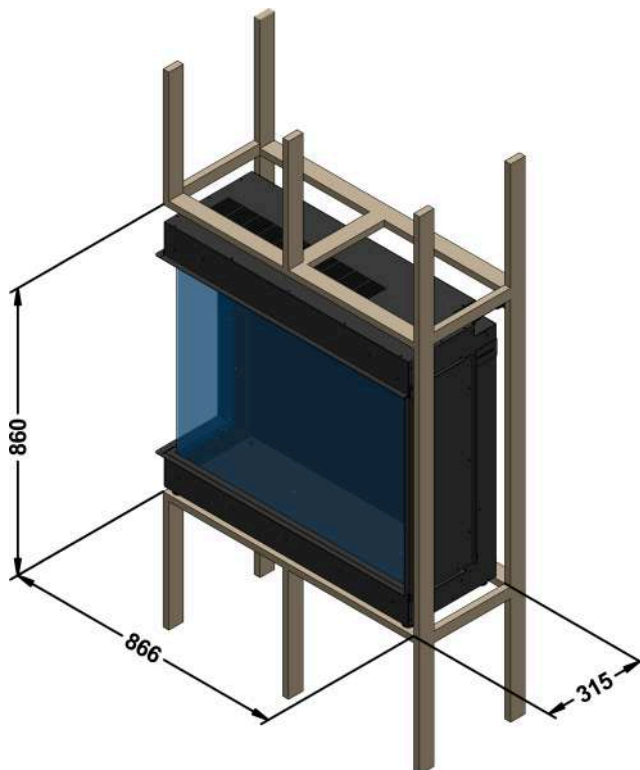
APPLIANCE DIMENSIONS

Product Code:



FRAME BUILD OUT DIMENSIONS (All dimensions are in millimetres)

H - MIN	W - MAX	C - CAVITY DEPTH
860	866	315



DIMENSION NOTES:

** C- CAVITY DEPTH INCLUDES 10MM BACK CLEARANCE.

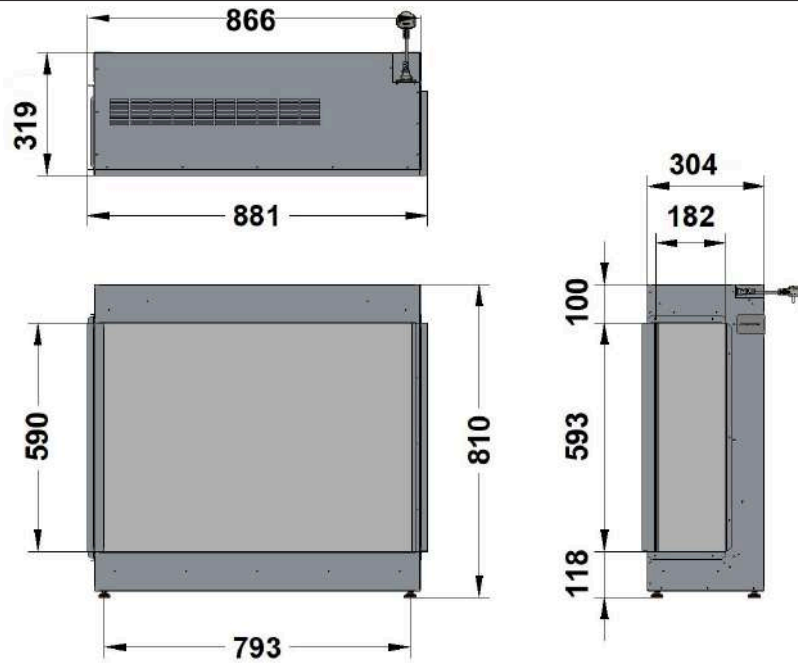
** H- HEIGHT INCLUDES 50MM TOP CLEARANCE.

PLEASE NOTE: DIMENSIONS ARE FOR REFERENCE ONLY - CONSULT YOUR INSTALLER AND RETAILER FOR GUIDANCE

ilektrö 950 Aspect Right Corner Glass

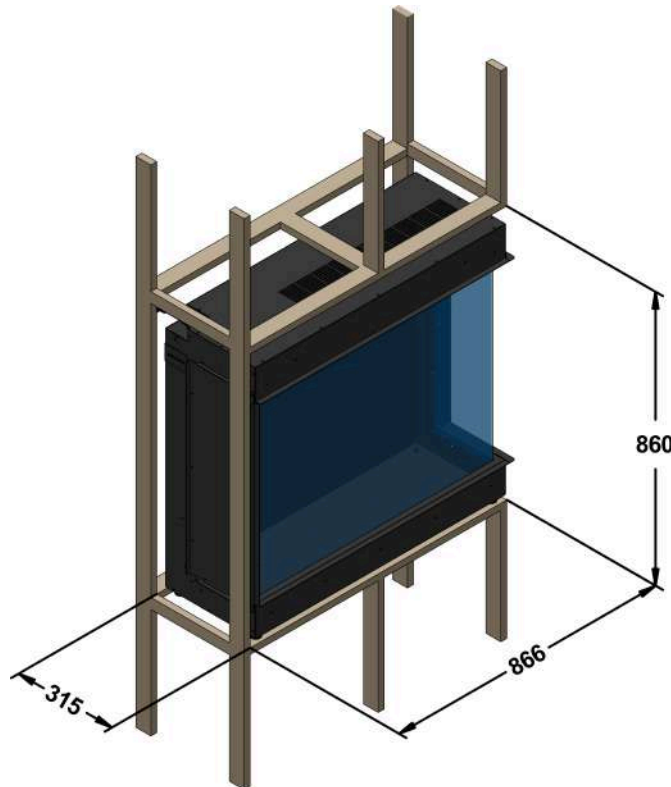
APPLIANCE DIMENSIONS

Product Code:



FRAME BUILD OUT DIMENSIONS (All dimensions are in millimetres)

H - MIN	W - MAX	C - CAVITY DEPTH
860	866	315



DIMENSION NOTES:

** C- CAVITY DEPTH INCLUDES 10MM BACK CLEARANCE.

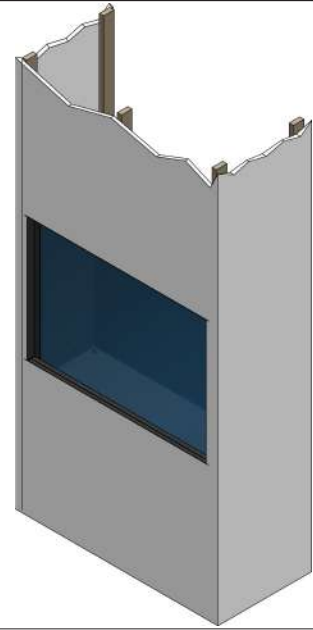
** H- HEIGHT INCLUDES 50MM TOP CLEARANCE.

PLEASE NOTE: DIMENSIONS ARE FOR REFERENCE ONLY - CONSULT YOUR INSTALLER AND RETAILER FOR GUIDANCE

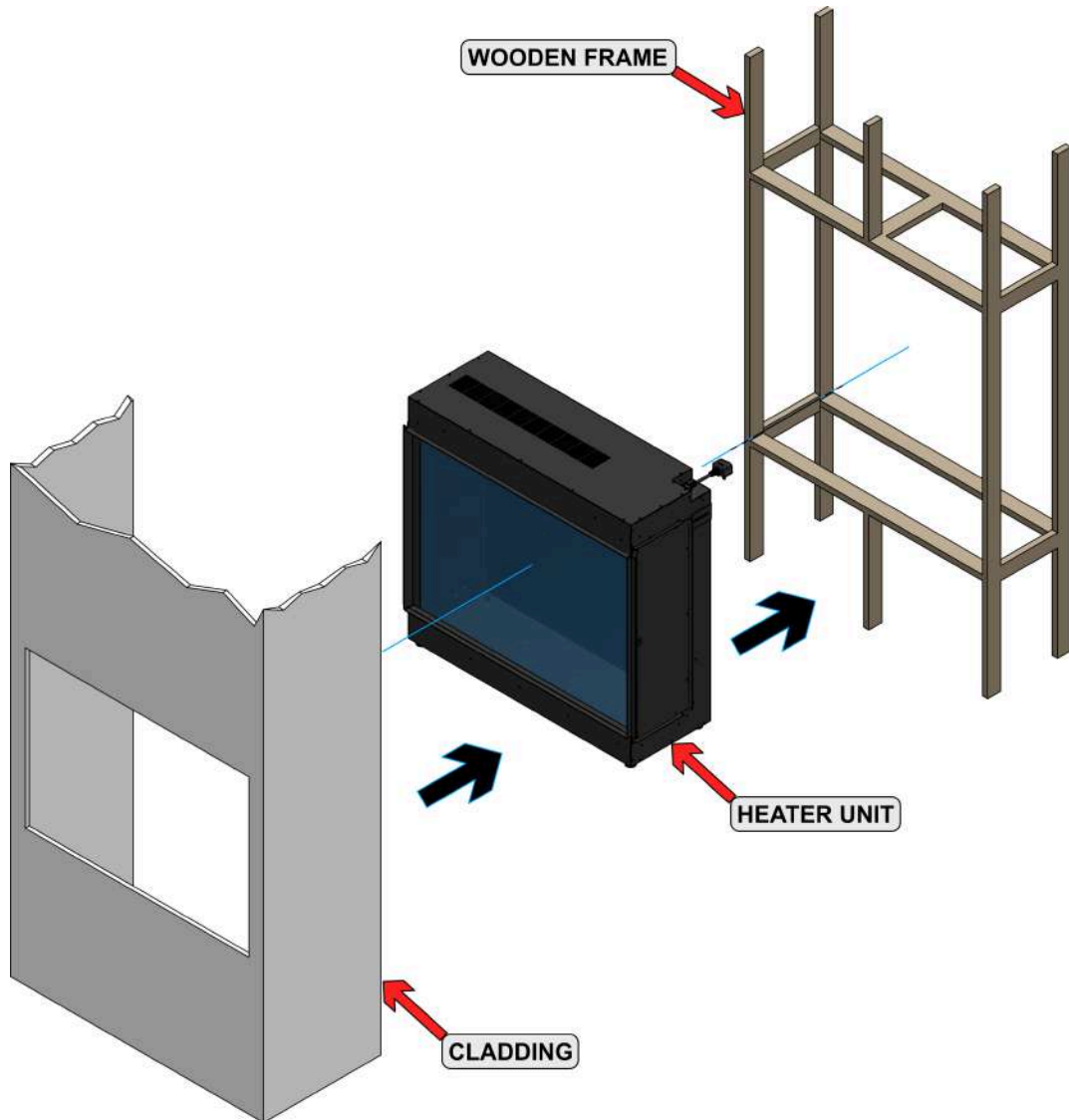
ilektró 950 Aspect

Note:

Above given dimensions are for frame structure only.

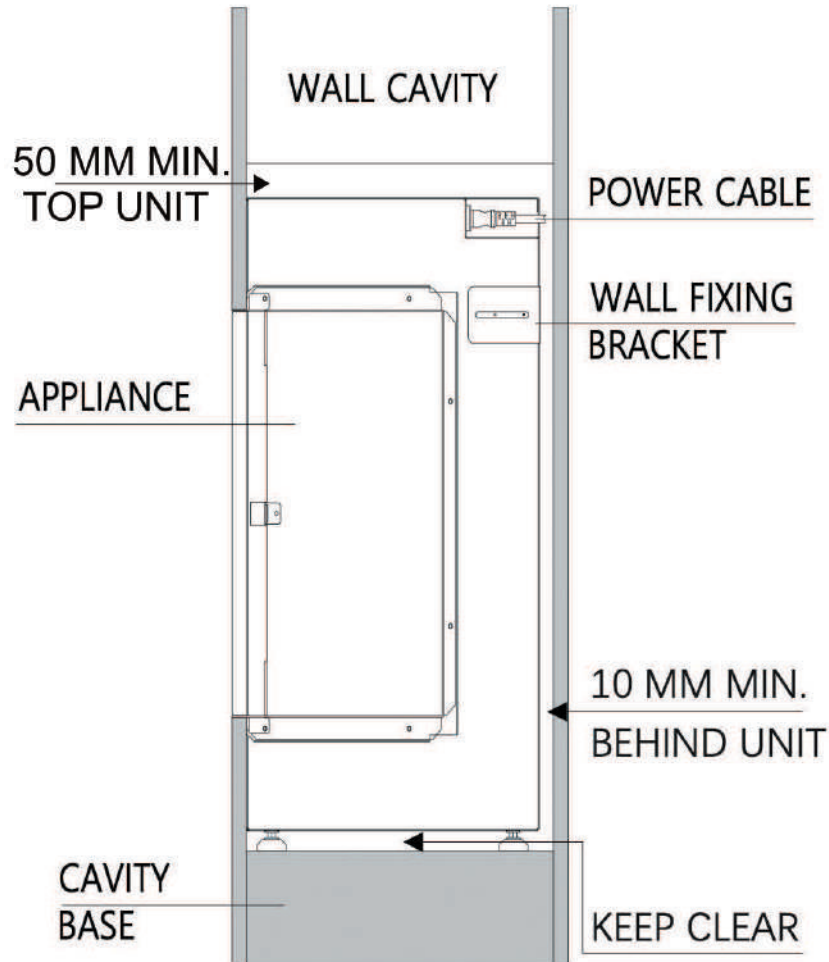


EXPLODED VIEW



ilektró 950 Aspect

POSITIONING YOUR APPLIANCE

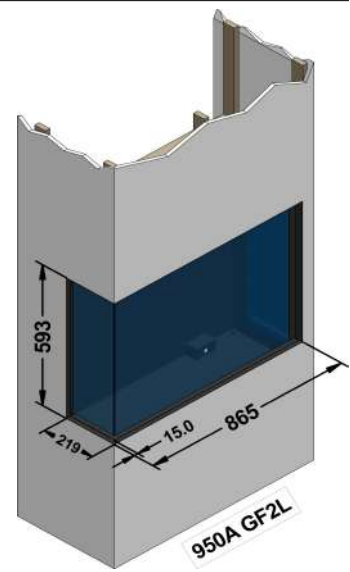
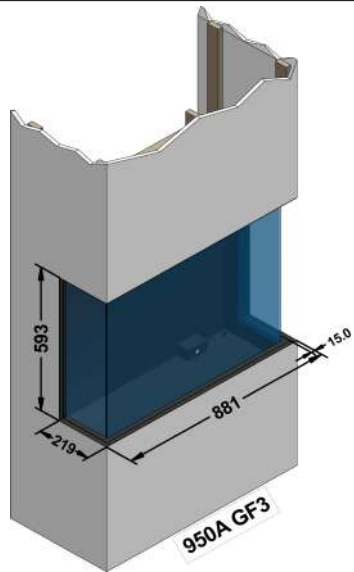
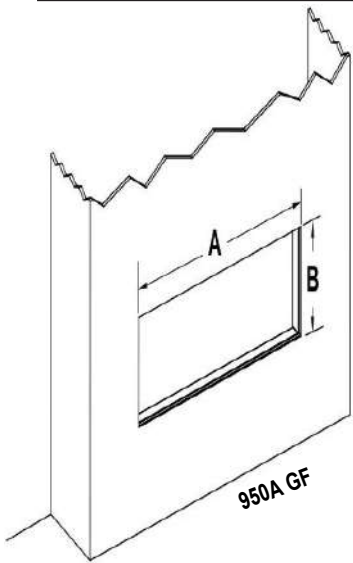


NOTE:

No fixtures are supplied to secure the appliance to the chosen wall. Ensure an appropriate fixing method is used depending on the construction material of the wall.

- When installing into a wall cavity space, a stud work enclosure should be built to house the appliance. Refer to frame out build sheet.
- Finish the enclosure in the chosen material ensuring cladding are pushed up to the edge frame around the glass of the unit.
- If your appliance is not level when installed the glass corner fit will be misaligned.

ilektró 950 Aspect



Model	A	B	C	D	E	F	G
950A GF	848mm	593mm	581mm	219mm	315mm	100mm	119mm
950A GF3	881mm	593mm	581mm	219mm	315mm	100mm	119mm
950A GF2L	865mm	593mm	581mm	219mm	315mm	100mm	119mm
950A GF2R	865mm	593mm	581mm	219mm	315mm	100mm	119mm

The above table contains the **minimum** opening

A = Width to outside of plaster flanges

B = Height to outside of plaster flanges

C = Height of fire (min)

D = Depth from front of fire body to rear of side plaster flange

E = Depth of fire (+1MM TOL)

F = Height of fire above top plaster bead

G = Min height from underside of adjustable foot to underside of lower plaster flange

