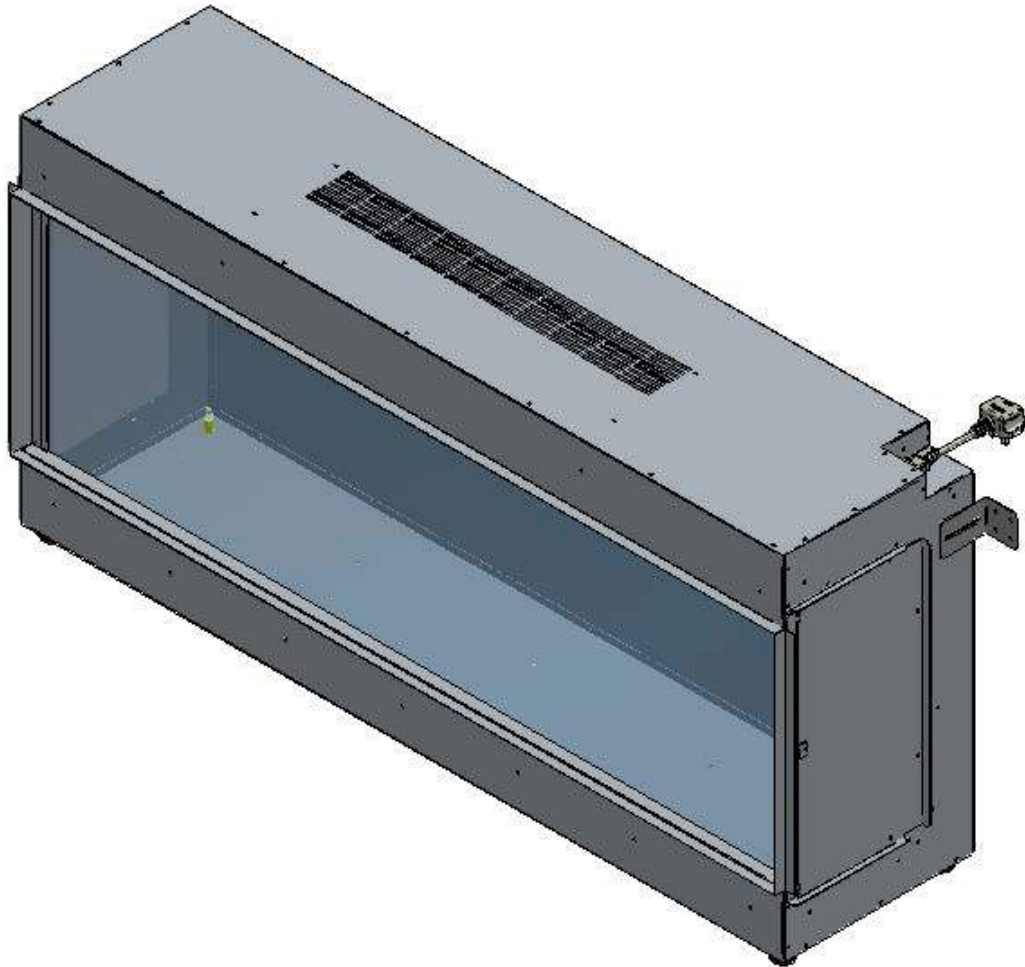


# ilektrø Range

## 2000 Landscape

### SPECIFICATION SHEET



Version 2 15/01/22

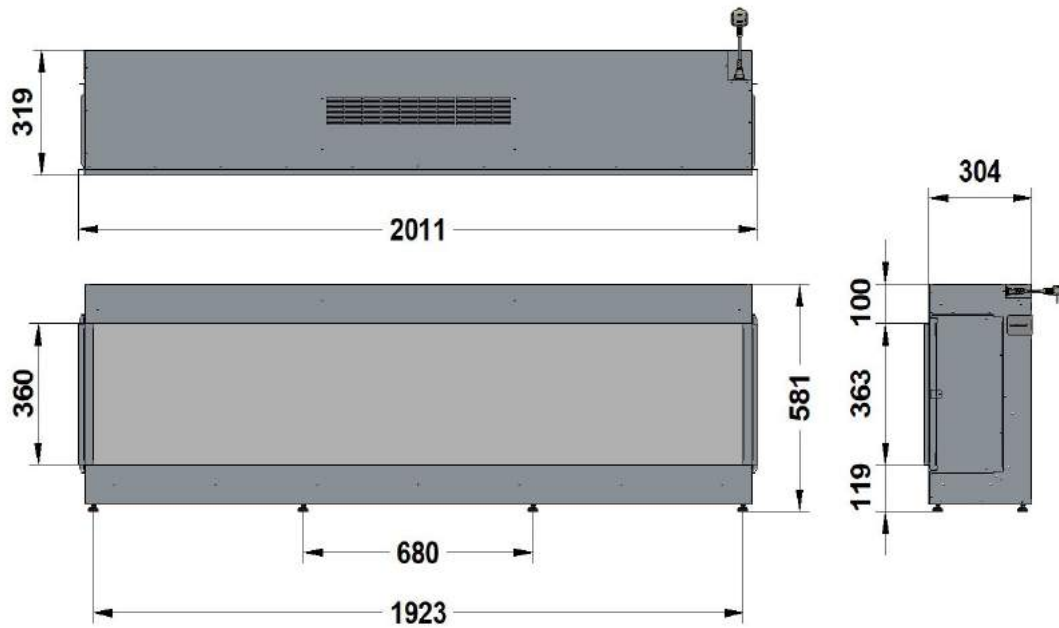
Contents of manual may be updated without notice.

For the latest version of this manual please refer to our website: [www.paulagnewdesigns.com.au](http://www.paulagnewdesigns.com.au)

# ilekto 2000 Landscape Glass Fronted

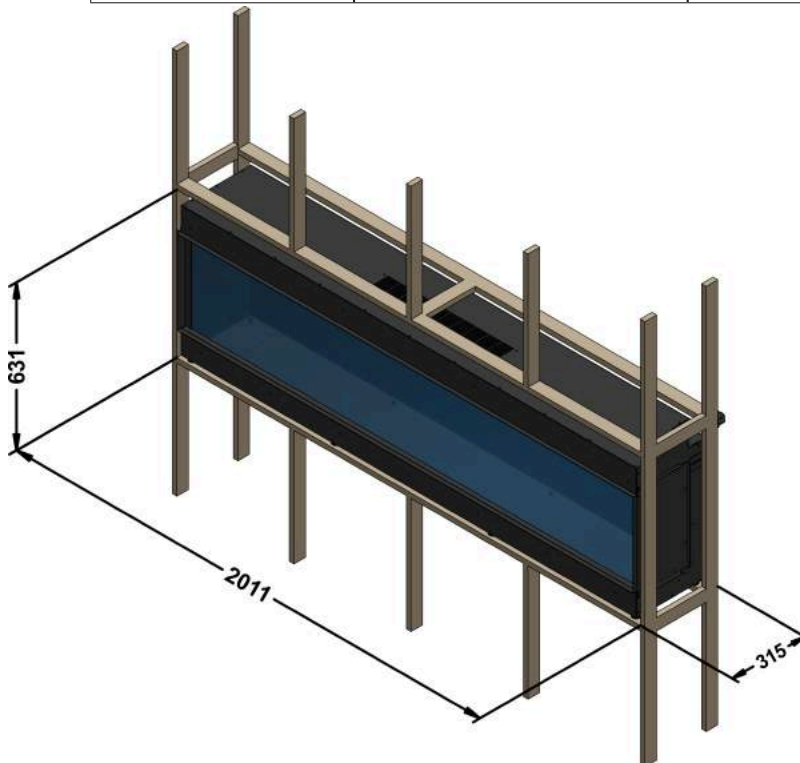
## APPLIANCE DIMENSIONS

Product Code:



## FRAME BUILD OUT DIMENSIONS (All dimensions are in millimetres)

H - MIN	W - MIN	C - CAVITY DEPTH
631	2011	315



### DIMENSION NOTES:

\*\* C- CAVITY DEPTH INCLUDES 10MM BACK CLEARANCE.

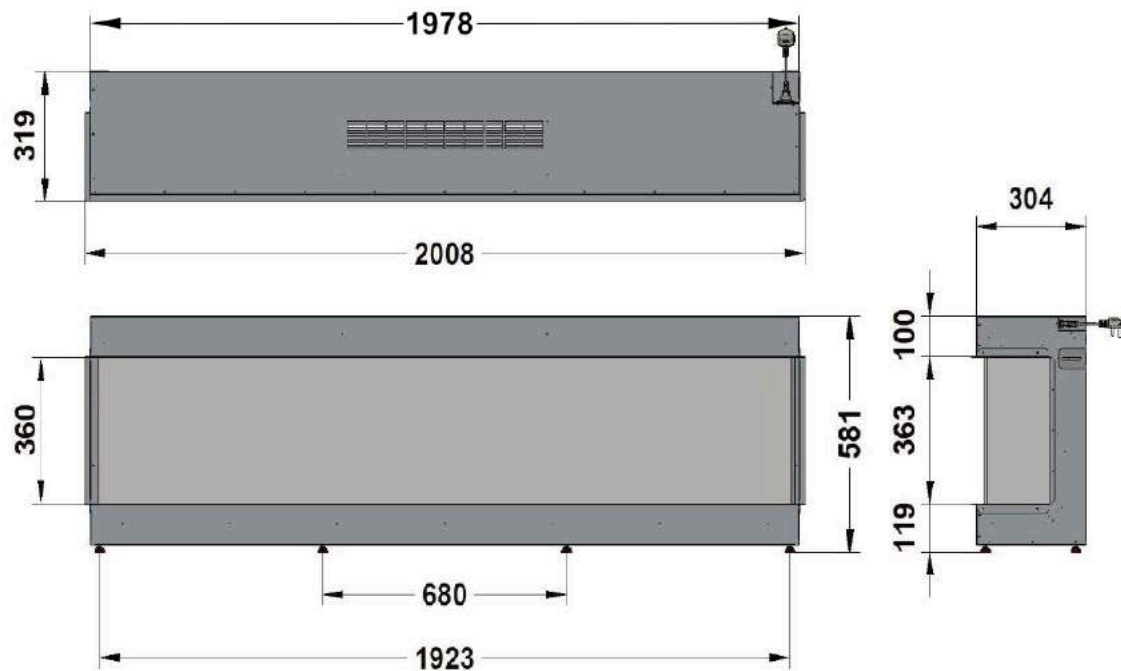
\*\* H- HEIGHT INCLUDES 50MM TOP CLEARANCE.

PLEASE NOTE: DIMENSIONS ARE FOR REFERENCE ONLY - CONSULT YOUR INSTALLER AND RETAILER FOR GUIDANCE

## ilekto 2000 Landscape Bay

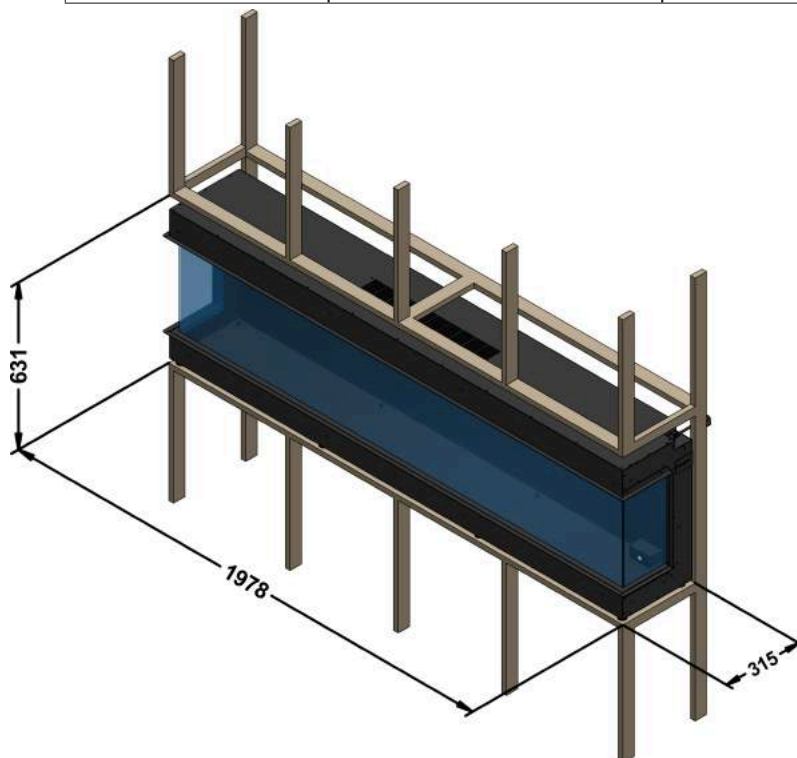
### APPLIANCE DIMENSIONS

Product Code:



### FRAME BUILD OUT DIMENSIONS (All dimensions are in millimetres)

H - MIN	W - MAX	C - CAVITY DEPTH
631	1978	315



### DIMENSION NOTES:

\*\* C - CAVITY DEPTH INCLUDES 10MM BACK CLEARANCE.

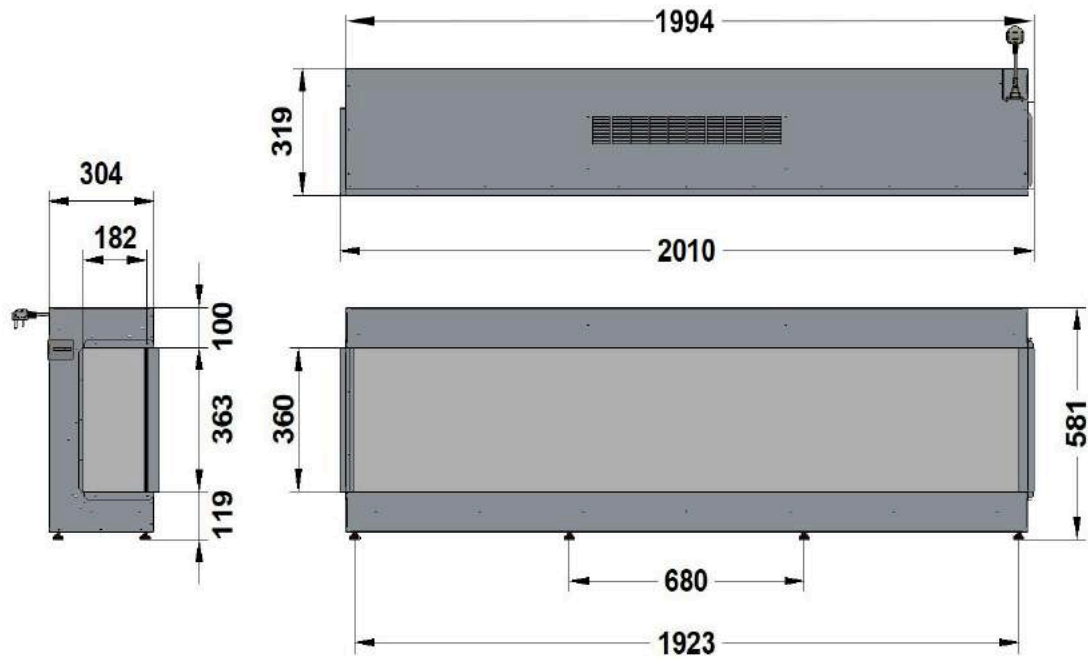
\*\* H - HEIGHT INCLUDES 50MM TOP CLEARANCE.

PLEASE NOTE: DIMENSIONS ARE FOR REFERENCE ONLY - CONSULT YOUR INSTALLER AND RETAILER FOR GUIDANCE

# ilekto 2000 Landscape Left Corner Glass

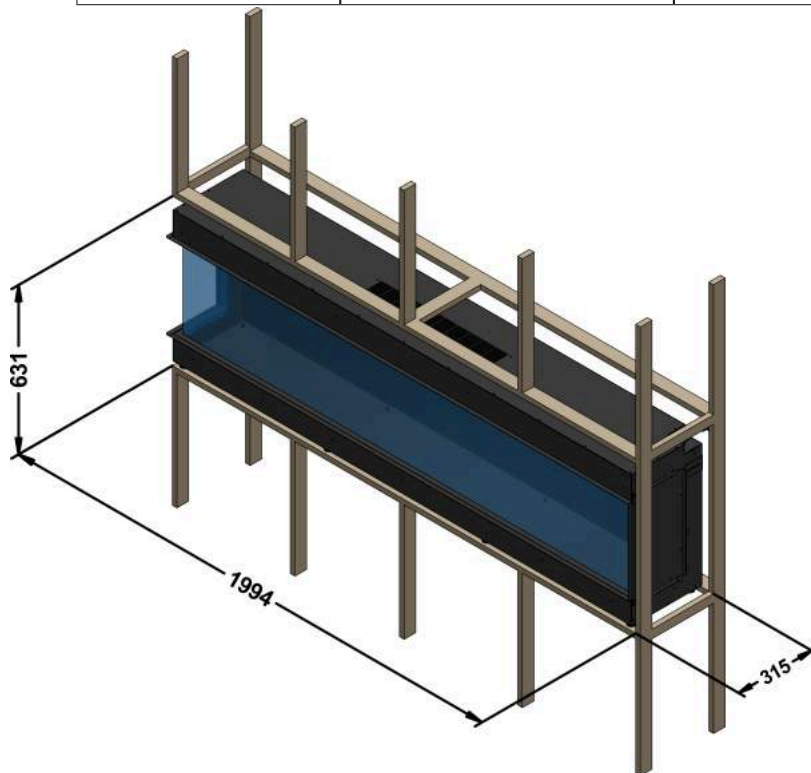
## APPLIANCE DIMENSIONS

Product Code:



## FRAME BUILD OUT DIMENSIONS (All dimensions are in millimetres)

H - MIN	W - MAX	C - CAVITY DEPTH
631	1994	315



### DIMENSION NOTES:

\*\* C- CAVITY DEPTH INCLUDES 10MM BACK CLEARANCE.

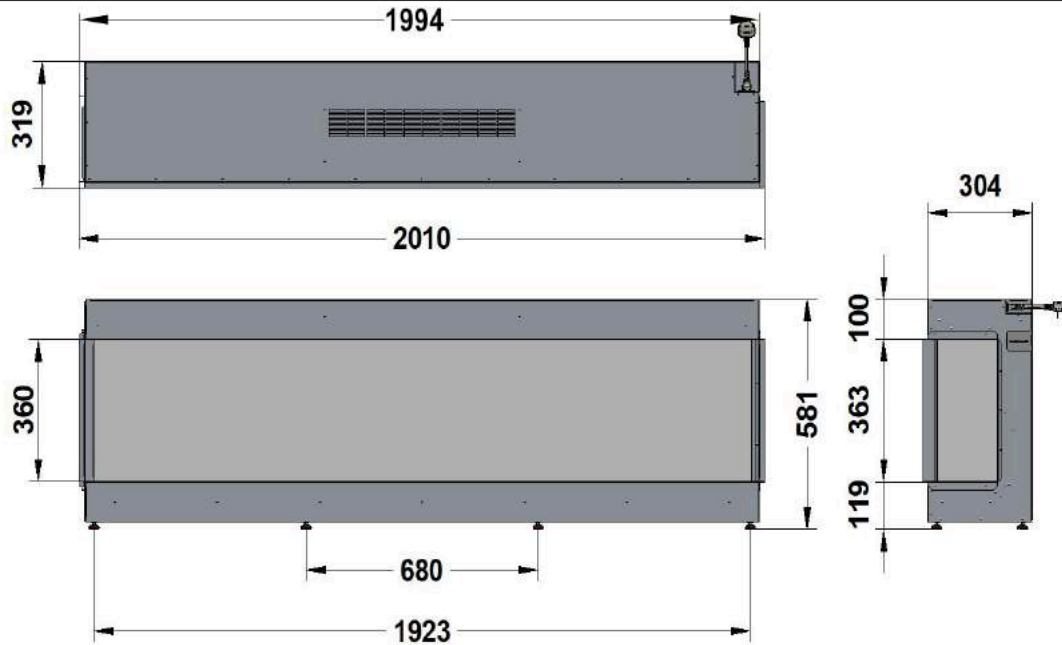
\*\* H- HEIGHT INCLUDES 50MM TOP CLEARANCE.

PLEASE NOTE: DIMENSIONS ARE FOR REFERENCE ONLY - CONSULT YOUR INSTALLER AND RETAILER FOR GUIDANCE

# ilektró 2000 Landscape Right Corner Glass

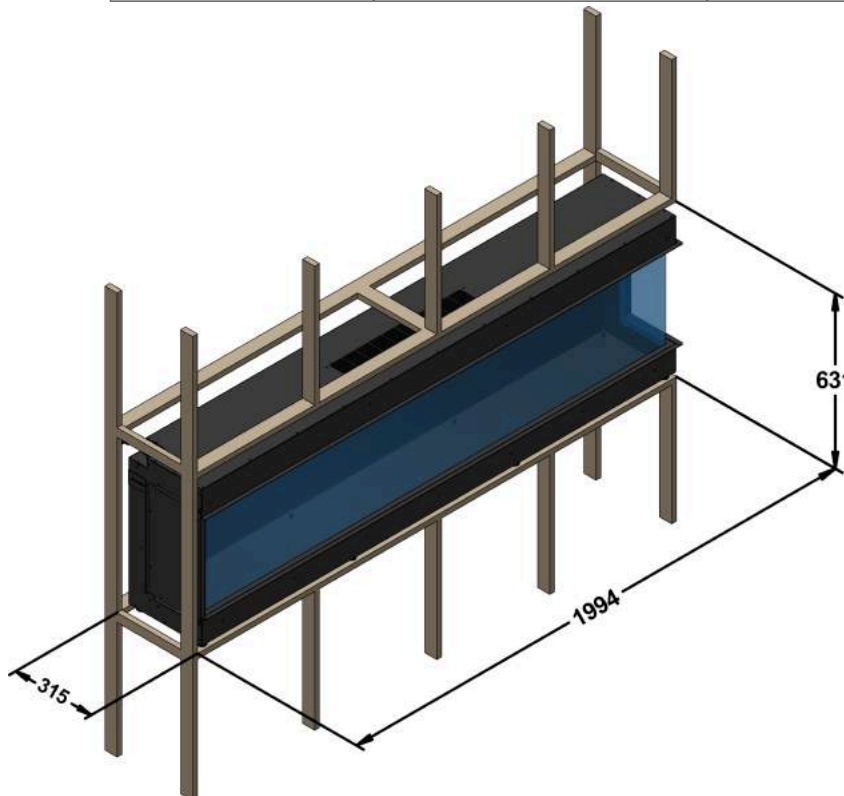
## APPLIANCE DIMENSIONS

Product Code:



## FRAME BUILD OUT DIMENSIONS (All dimensions are in millimetres)

H - MIN	W - MAX	C - CAVITY DEPTH
631	1994	315



### DIMENSION NOTES:

\*\* C- CAVITY DEPTH INCLUDES 10MM BACK CLEARANCE.

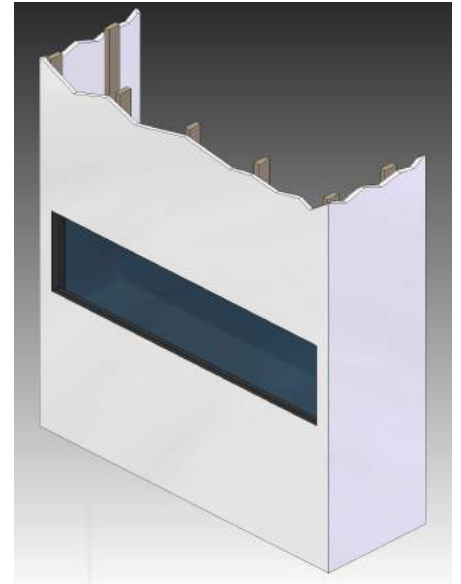
\*\* H- HEIGHT INCLUDES 50MM TOP CLEARANCE.

PLEASE NOTE: DIMENSIONS ARE FOR REFERENCE ONLY - CONSULT YOUR INSTALLER AND RETAILER FOR GUIDANCE

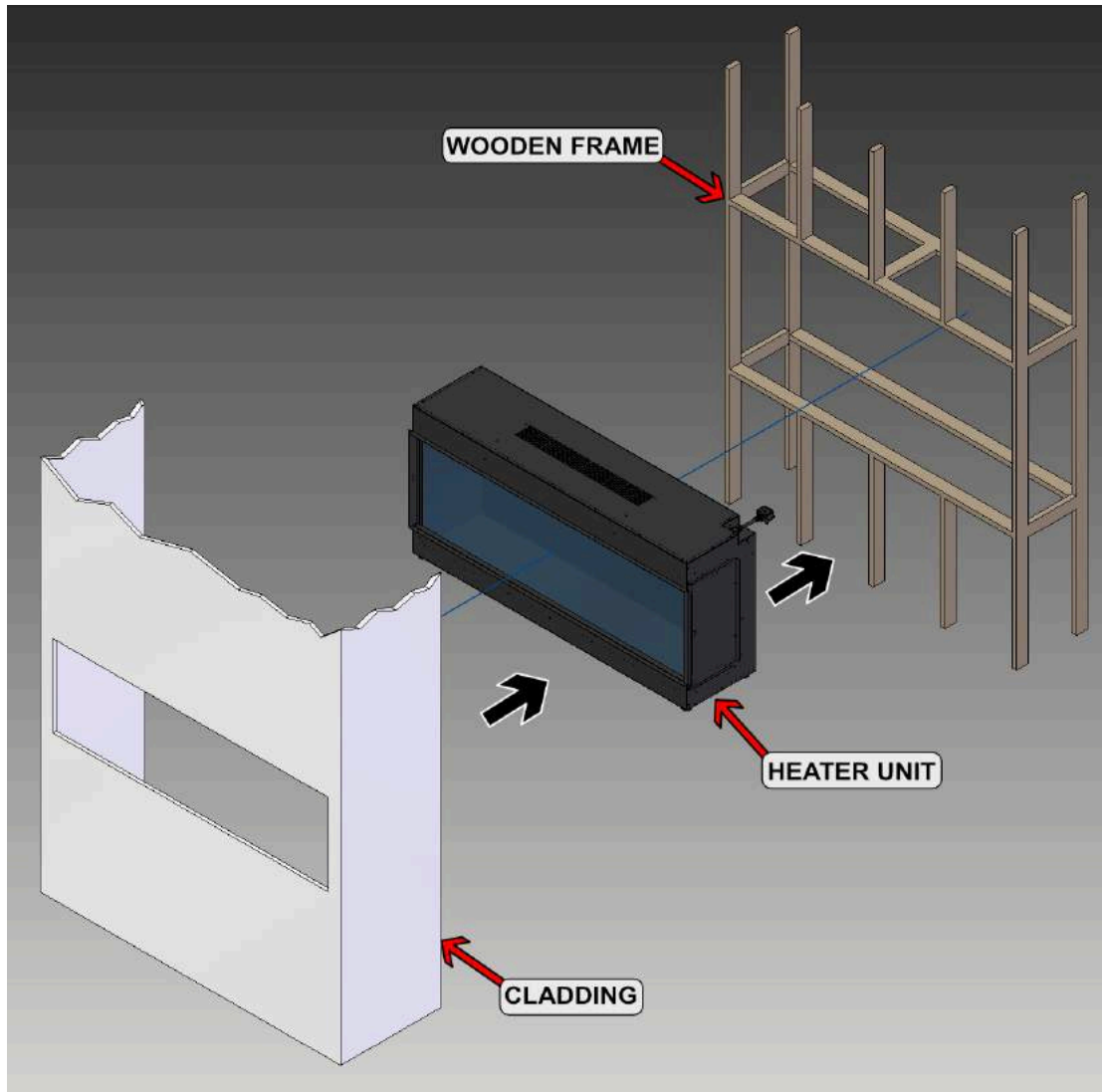
## ilektró 2000 Landscape

**Note:**

Above given dimensions are for frame structure only.

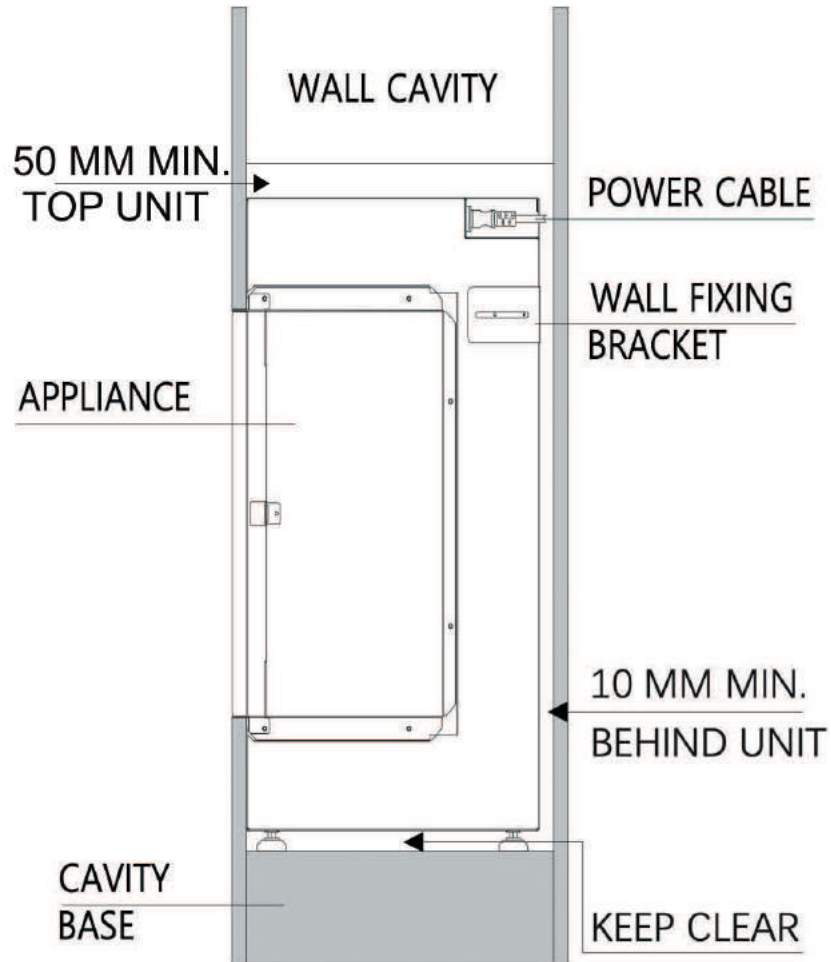


### EXPLODED VIEW



## ilektró 2000 Landscape

### POSITIONING YOUR APPLIANCE



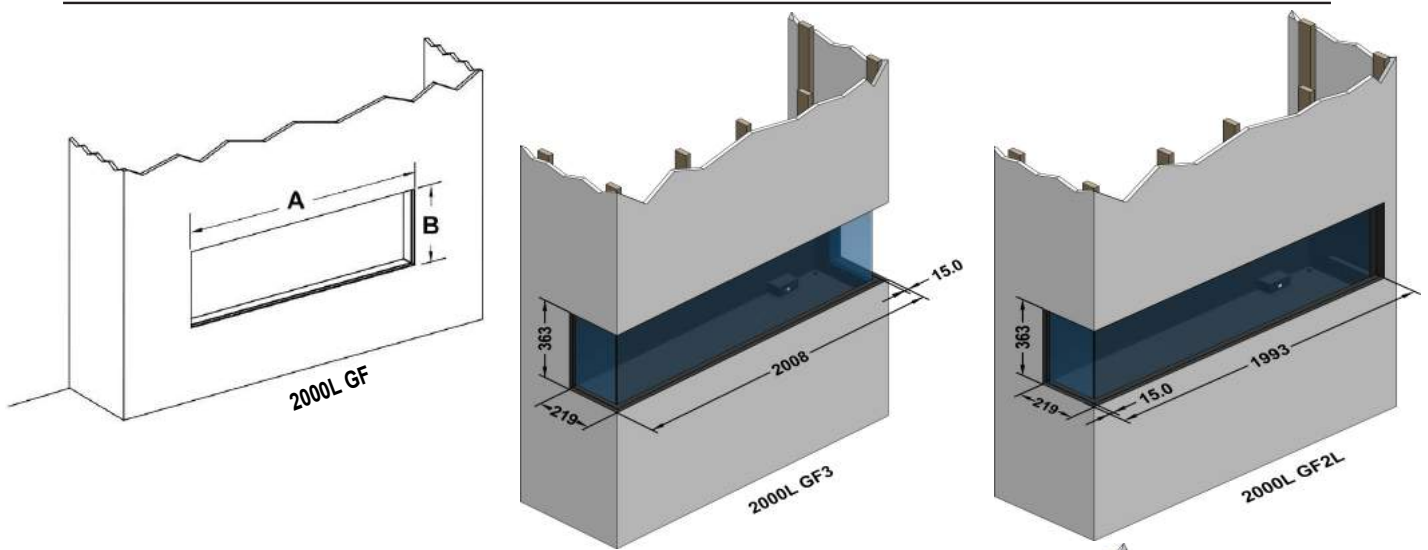
#### NOTE:

No fixtures are supplied to secure the appliance to the chosen wall. Ensure an appropriate fixing method is used depending on the construction material of the wall.

- When installing into a wall cavity space, a stud work enclosure should be built to house the appliance. Refer to frame out build sheet.
- Finish the enclosure in the chosen material ensuring cladding are pushed up to the edge frame around the glass of the unit.
- If your appliance is not level when installed the glass corner fit will be misaligned.



## ilektró 2000 Landscape



Model	A	B	C	D	E	F	G
2000L GF	1979mm	363mm	581mm	219mm	315mm	100mm	119mm
2000L GF3	2008mm	363mm	581mm	219mm	315mm	100mm	119mm
2000L GF2L	1993mm	363mm	581mm	219mm	315mm	100mm	119mm
2000L GF2R	1993mm	363mm	581mm	219mm	315mm	100mm	119mm

The above table contains the **minimum** opening

A = Width to outside of plaster flanges

B = Height to outside of plaster flanges

C = Height of fire (min)

D = Depth from front of fire body to rear of side plaster flange

E = Depth of fire (+1MM TOL)

F = Height of fire above top plaster bead

G = Min height from underside of adjustable foot to underside of lower plaster flange

