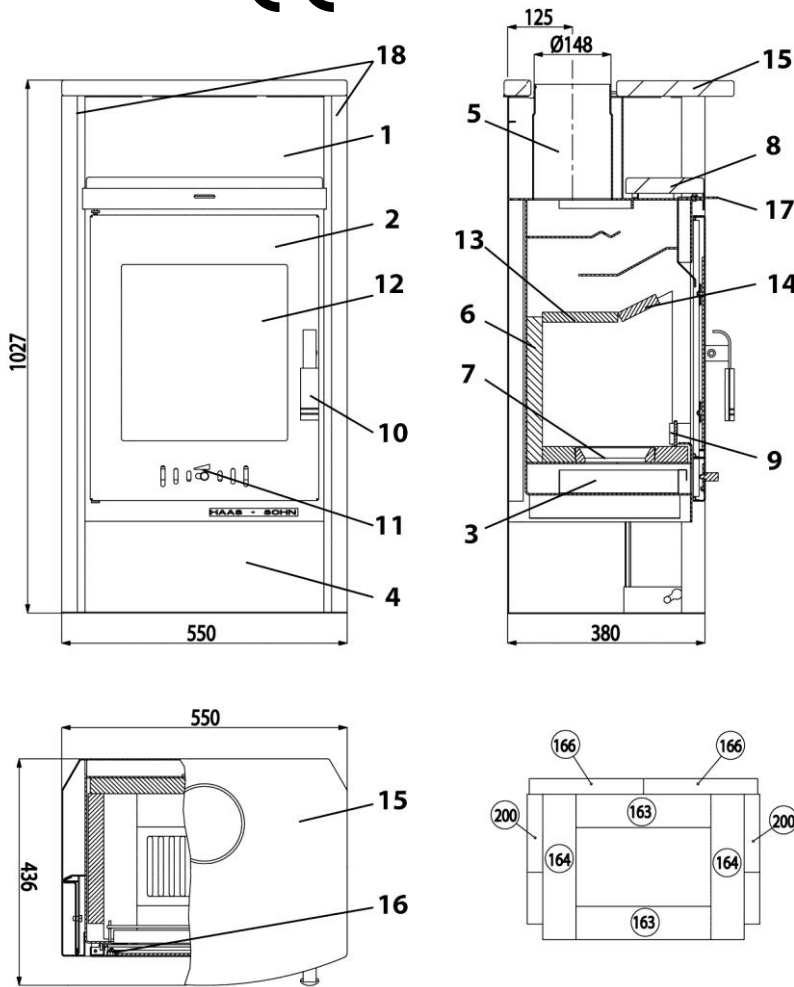




Equipment sheet fireplace Vitorre 275.15 0427515170000



Suitable fuels:

The following materials are approved for burning in your fireplace (refer also to chapter 5.1.):

Dry, natural wood, wood briquettes according to DIN 51731;

Fuel quantities, setting of combustion air damper, operation:

See chapters 5.4, 5.5 and 5.6 in the Operating Instructions and table below.

0050101630005	163	260x64x30
0050101640005	164	280x64x30
0050101660005	166	280x220x30
0050102000005	200	330x250x30

Fuels	Maximum fuel quantity	Primary air damper (11) (Air flow through the grating)	Secondary air damper (17, top)
Wood billets, wood briquettes	2 – 3 billets (approx. 1.5 – 2 kg) or 1 wood briquette (1.5 kg)	For 10 minutes open, then closed	Open

Spare parts no.	Item	Designation	Spare parts no.	Item	Designation
-	1	Oven body	0427515115050	11	Primary air damper
0427515175300	2	Fire chamber door anthracite	0427015105301	12	Glass pane 370x340
0417015115600	3	Ash pan	0430815005023	13	Deflection plate 420x160x30
-	4	Wood storage compartment	0427415005010	14	Deflection plate 420x80x30
-	5	Smoke pipe spigot	0427515176130	15	Cover plate stone
-	6	Refractory	0088400020005	16	Door spring
0020100130005	7	Grating	-	17	Secondary air damper
0427515176110	8	Warming compartment insert plate stone	0427515176120	18	Side parts stone
0427415245500	9	Upright grating	0040008080005		Seal door 8 mm
0427515005302	10	Fire chamber door handle	0040210040005		Seal glass 10x4 mm

Technical data:		Vitorre 275.15			
Height	1027 mm	Flue gas temperature on the spigot of the heat generator		290 °C	
Width	550 mm	Minimum delivery pressure		12 Pa	
Depth without handles	436 mm	Minimum delivery pressure with 0.8 times rated thermal capacity		10 Pa	
Weight	135 kg	Flue mass flow		6,8 g/s	
Pipe spigot	150 mm	Fuel	Wood	Wood briquette	lignite briquettes
Rated heating capacity	6 kW	CO ₂	9,3	9,6	9,6
Thermal output range	2,4-7,4 kW	Efficiency	80,7%	79,4%	79,4%
Inspection no. EN 13240 RRF-40 10 2459					