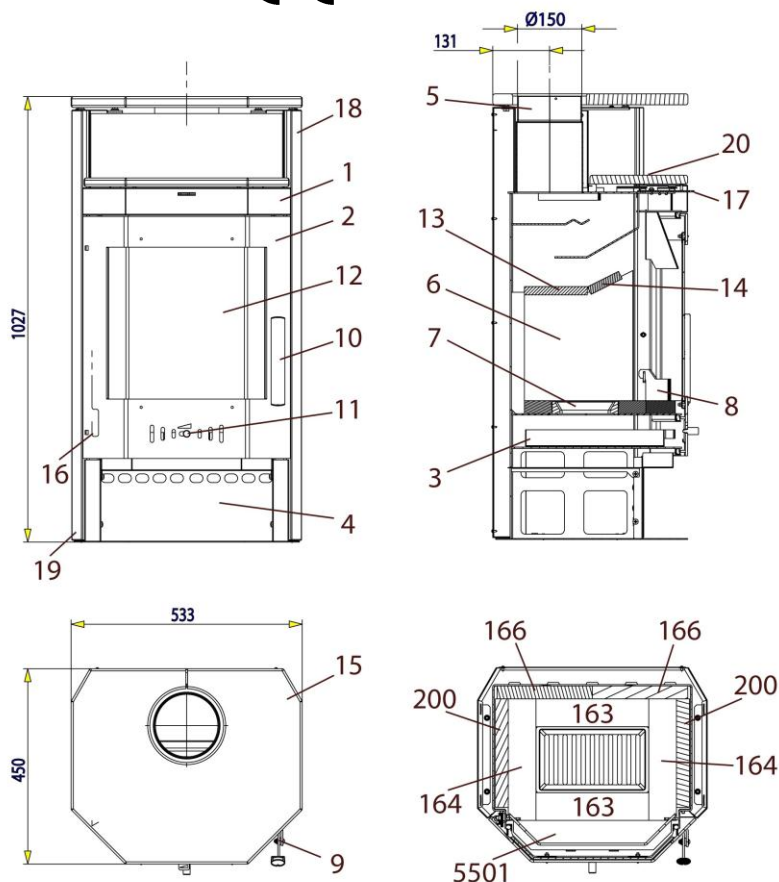




Equipment sheet fireplace Aarhus-II 284.17-ST 042841710000



Suitable fuels:

The following materials are approved for burning in your fireplace (refer also to chapter 5.1.):
Dry, natural wood, wood briquettes according to DIN 51731;

Fuel quantities, setting of combustion air damper, operation:

See chapters 5.4, 5.5 and 5.6 in the Operating Instructions and table below.

| | | |
|---------------|------|------------|
| 0050101630005 | 163 | 260x64x30 |
| 0050101640005 | 164 | 280x64x30 |
| 0050101660005 | 166 | 280x220x30 |
| 0050102000005 | 200 | 330x250x30 |
| 0428417015501 | 5501 | 364x68x30 |

| Fuels | Maximum fuel quantity | Primary air damper (11) (Air flow through the grating) | Secondary air damper (17, top) |
|-------------------------------|--|---|-----------------------------------|
| Wood billets, wood briquettes | 2 – 3 billets (approx. 1.5 – 2 kg) or 1 wood briquette (1.5 kg) | For 10 minutes open, then closed | Open |

| Spare parts no. | Item | Designation | Spare parts no. | Item | Designation |
|-----------------|------|--------------------------|-----------------|------|----------------------------------|
| | 1 | Oven body black | 0428417015301 | 12 | Glass pane 374x370 |
| 0428417105300 | 2 | Fire chamber door black | 0430815005023 | 13 | Deflection plate 420x160x30 |
| 0428417015176 | 3 | Ash pan | 0427415005010 | 14 | Deflection plate 420x80x30 |
| | 4 | Wood storage compartment | 0428417106102 | 15 | Cover plate |
| | 5 | Smoke pipe spigot | 0428417015210 | 16 | Door spring |
| | 6 | Refractory | | 17 | Secondary air damper |
| 0020100130005 | 7 | Grating | 0428417106152 | 18 | Side parts right black |
| 0428417105034 | 8 | Upright grating | 0428417106153 | 19 | Side parts left black |
| | 9 | Door handle mounting | 0428417106101 | 20 | Warming compartment insert plate |
| 0428417105334 | 10 | Fire chamber door handle | 0040012120005 | | Seal door 12 mm |
| 0082020020005 | 11 | Primary air damper | 0040210040005 | | Seal glass 10x4 mm |

| Technical data: | | Aarhus-II 284.17-ST | | |
|-------------------------|----------------|---|---------|----------------|
| Height | 1027mm | Flue gas temperature on the spigot of the heat generator | 290 °C | |
| Width | 535 mm | Minimum delivery pressure | 12 Pa | |
| Depth without handles | 450 mm | Minimum delivery pressure with 0.8 times rated thermal capacity | 10 Pa | |
| Weight | 112 kg | Flue mass flow | 6,8 g/s | |
| Pipe spigot | 150 mm | Fuel | Wood | Wood briquette |
| Rated heating capacity | 7 kW | CO2 | 9,3 | 9,6 |
| Thermal output range | 2,4-7,4 kW | Efficiency | 80,1% | 78,4% |
| Inspection no. EN 13240 | RRF 40 09 2113 | | | |